

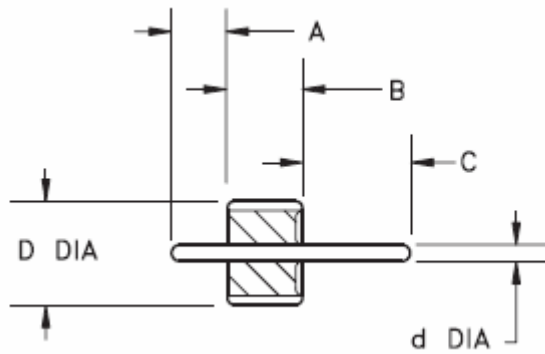
K Connector from SouthWest Microwave (www.southwestmicrowave.com)

K-Connector: 1014-01SF

2 HOLE .625 L		1014-09SF	1014-01SF	1014-16SF	1014-05SF

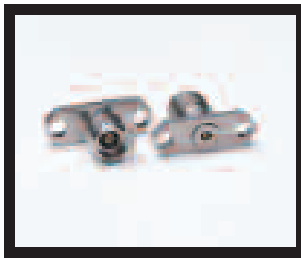
Center PIN: 290-06G or 290-07G

50 ohm Hermetic Seals

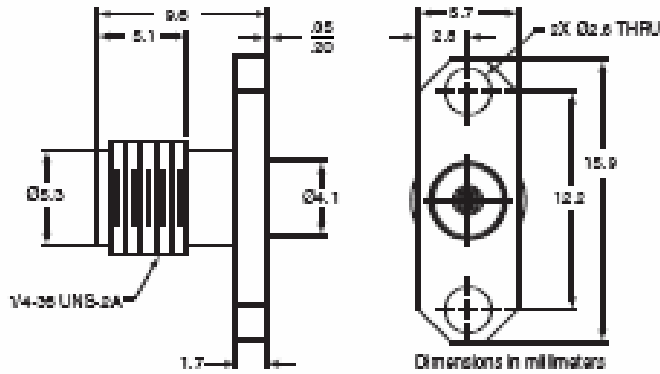


.012	.076	.040	.055	.029	290-07G
	.076	.040	.055	.080	290-06G

K Connector from Anritsu (www.us.anritsu.com)



K103F
*K Female Flange
 Launcher, two-hole,
 DC-40 GHz*



K100⁽¹⁾⁽²⁾
*Glass Beads for K102, K103,
 and K104 connectors*
*Note: Glass Beads can be
 purchased through recommended
 vendors. For more information
 visit www.anritsu.com.*

