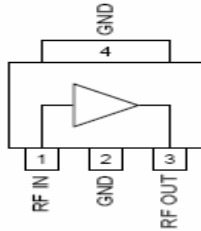


RoHS Compliant & Pb Free Product

MC1-AM03A:

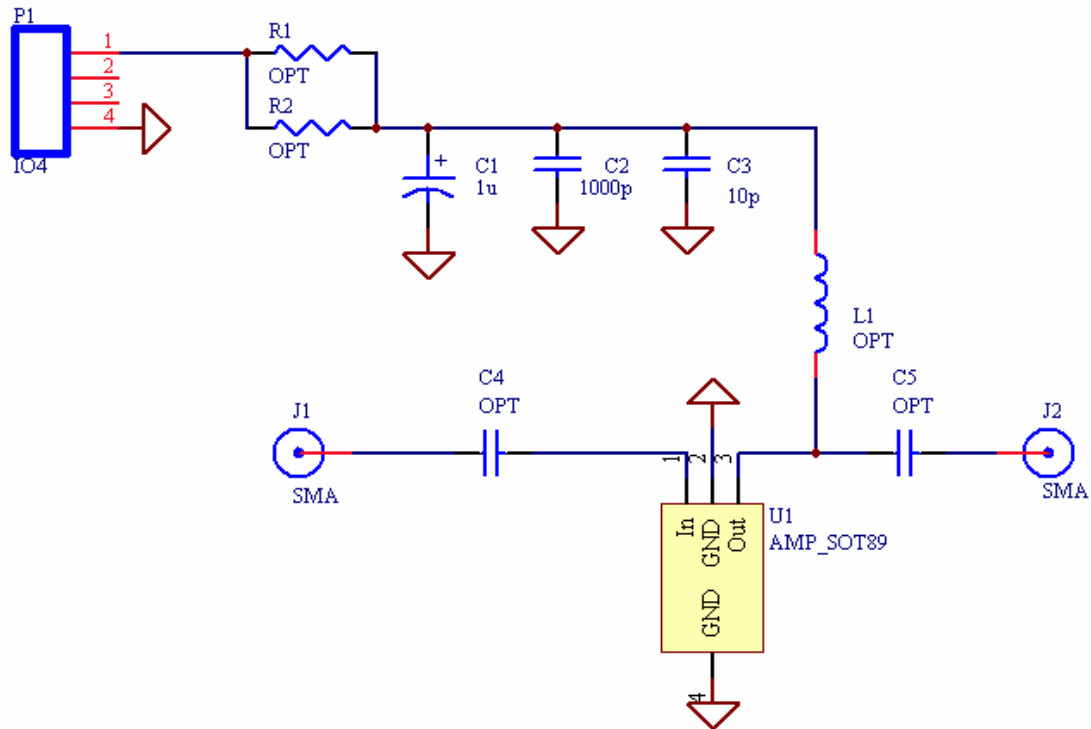
- Category: Amplifier
- Device Package: SOT-89
- Cell Size: Single (1x1)
- PCB Material/Layer Details: RO4350/2 layer with thickness 0.020"

Supported Device Package and Its Pin Allocation:



Pin	Function
1	RF In
3	RF Out/Bias
2,4	GND

Schematic:



Option Table

	R1, R2	L1, C2, C4
All Components	See Datasheet	See Datasheet

