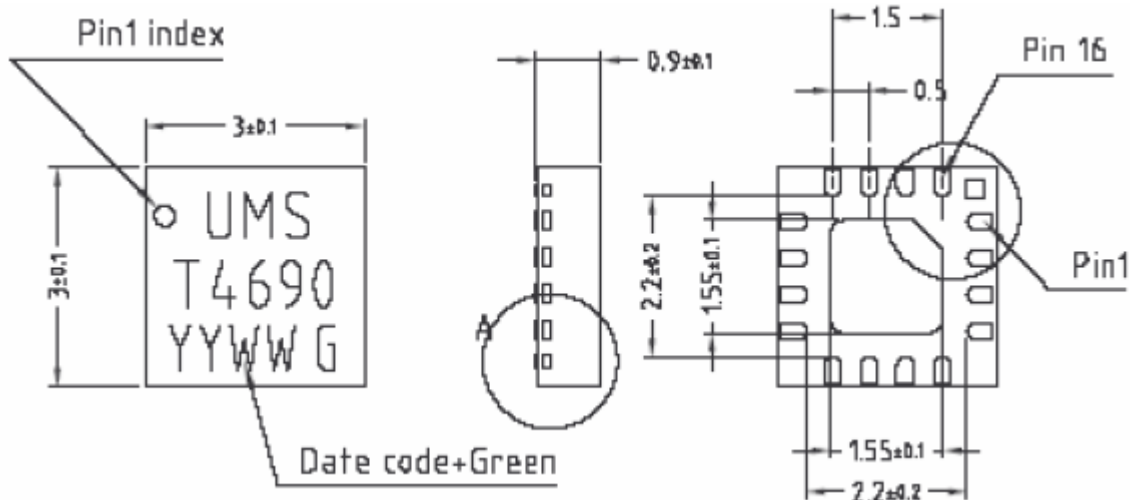
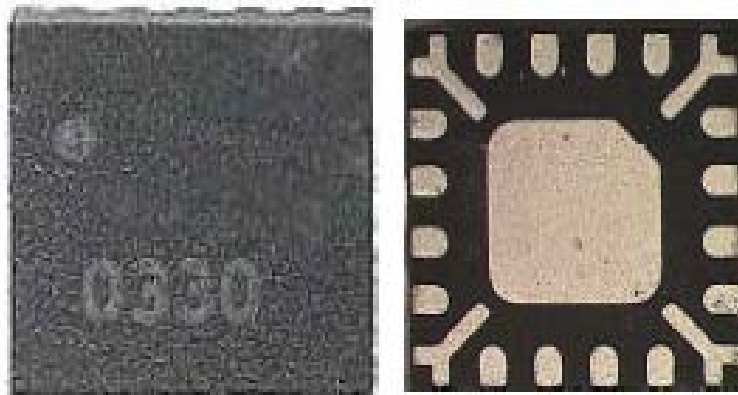


**RoHS Compliant & Pb Free Product**

**MC1-AT07A:**

- Category: Attenuators (Analog)
- Device Package: QFN3x3mm<sup>2</sup> (UMS)
- Cell Size: Single (1x1)
- PCB Material/Layer Details: RO4350/2 layer with thickness 0.020"

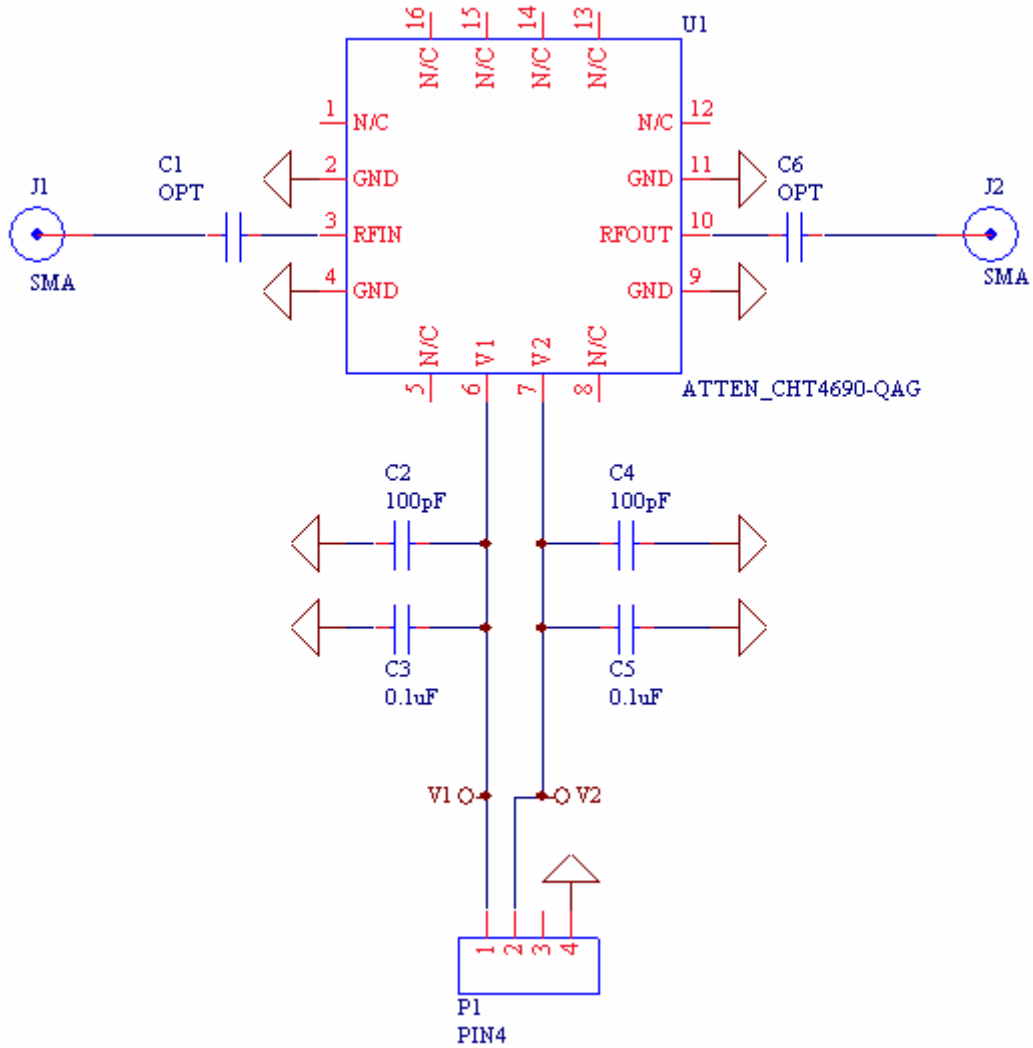
**Supported Device Package and Its Pin Allocation:**



CHT4690-QAG

1- NC	9- Gnd
2- Gnd	10- RF Out
3- RF In	11- Gnd
4- Gnd	12- Nc
5- Nc	13- Nc
6- V1	14- Nc
7- V2	15- Nc
8- Nc	16- Nc

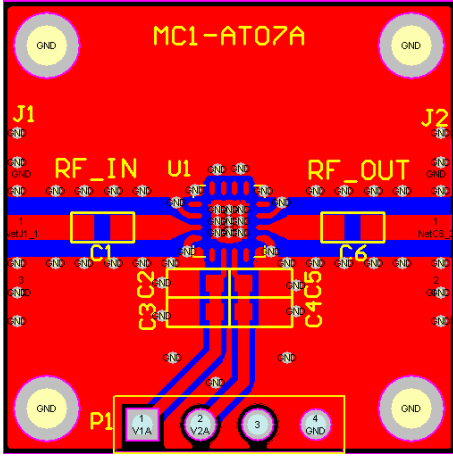
Schematic:



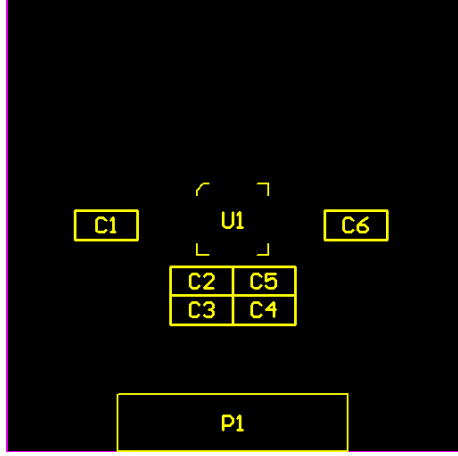
Option Table

	C1	C6
CHT4690-QAG	Short	Short

**MC1-AT07A PCB Layout:**



**MC1-AT07A Assembly Drawing:**



**Minimum supported devices and its vendors:**

UMS: CHT4690-QAG

**Bill of Material Example:**

Used	Part Type	Designator	Footprint
2	0.1uF	C3 C5	0603
2	100pF	C2 C4	0603
1	ATTEN_CHT4690-QAG	U1	16L-QFN3X3
2	OPT	C1 C6	0603
1	PIN4	P1	P2_CON4_S