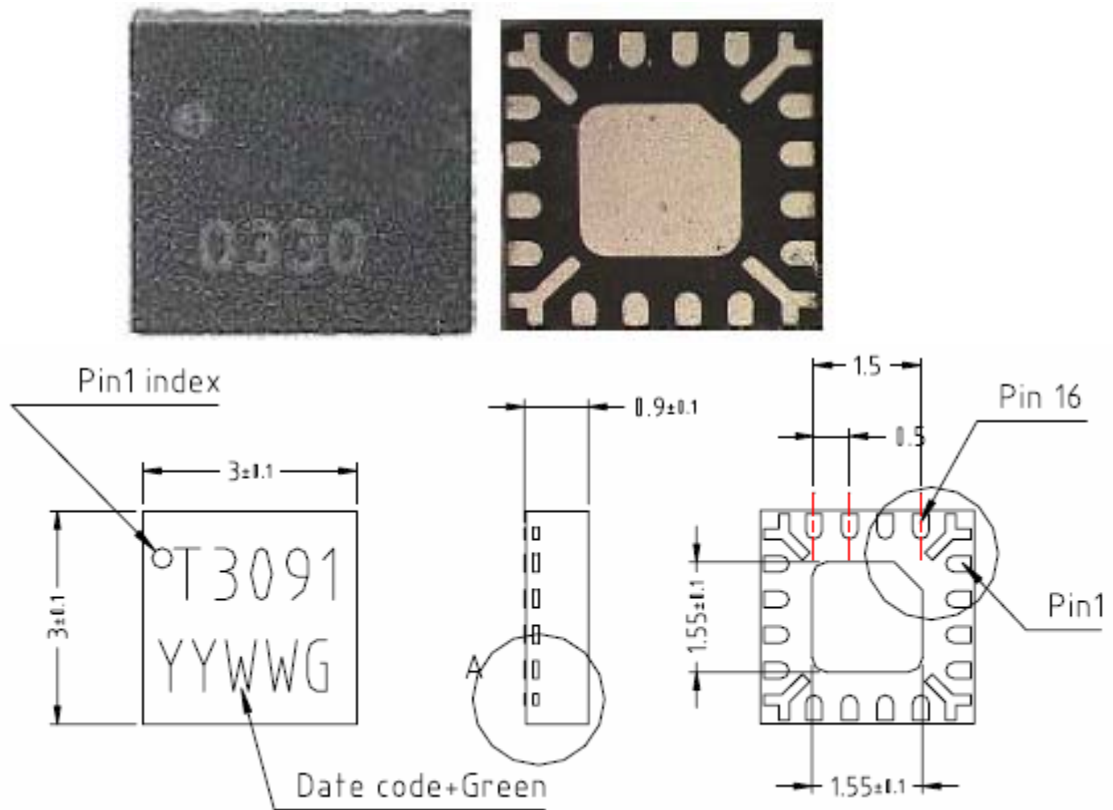


RoHS Compliant & Pb Free Product

MC1-AT06A:

- Category: Attenuators (Analog)
- Device Package: QFN3x3mm² (UMS)
- Cell Size: Single (1x1)
- PCB Material/Layer Details: RO4350/2 layer with thickness 0.020"

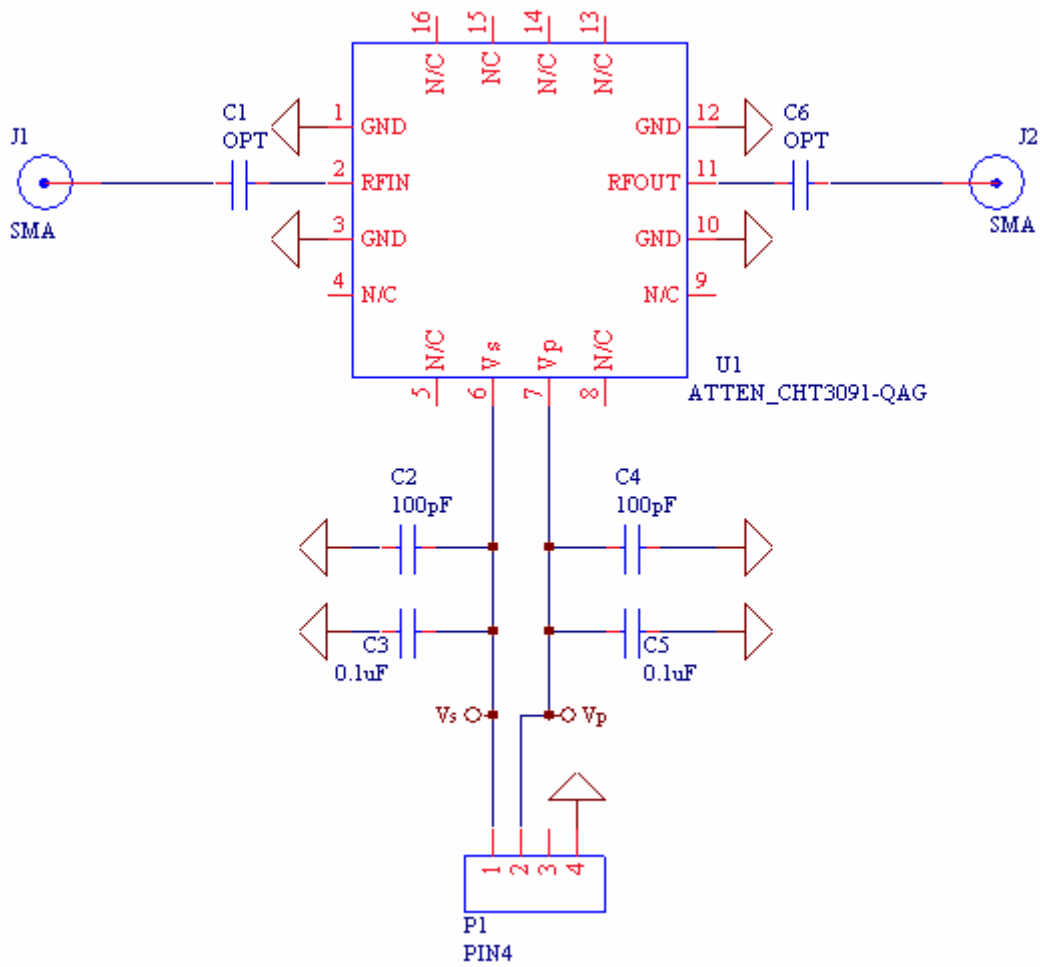
Supported Device Package and Its Pin Allocation:



CHT3091-QAG

1- Gnd	9- Nc
2- RF In	10- Gnd
3- Gnd	11- RF Out
4- Nc	12- Gnd
5- Nc	13- Nc
6- Vs	14- Nc
7- Vp	15- Nc
8- Nc	16- Nc

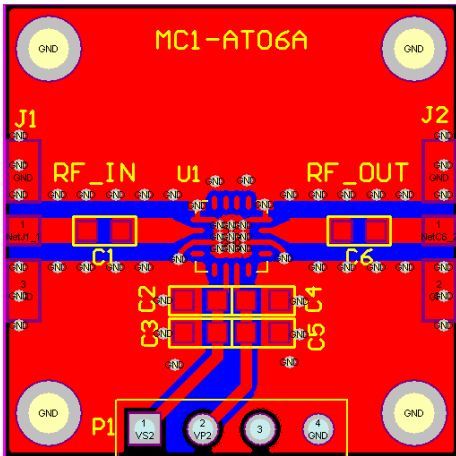
Schematic:



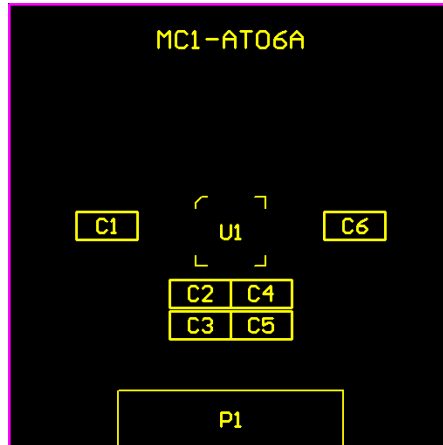
Option Table

	C1	C6
CHT3091-QAG	Short	Short

MC1-AT06A PCB Layout:



MC1-AT06A Assembly Drawing:



Minimum supported devices and its vendors:

UMS: CHT3091-QAG

Bill of Material Example:

Used	Part Type	Designator	Footprint
2	0.1uF	C3 C5	0603
2	100pF	C2 C4	0603
1	ATTEN_CHT3091-QAG	U1	16L-QFN3X3
2	OPT	C1 C6	0603
1	PIN4	P1	P2_CON4_S