

RoHS Compliant & Pb Free Product

MC1-AS001

- Documents: Microwave Cell Assembly Examples: Assembly Examples

Unlimited Possibilities!

Example One: Single Cell with Side Launch Assembly

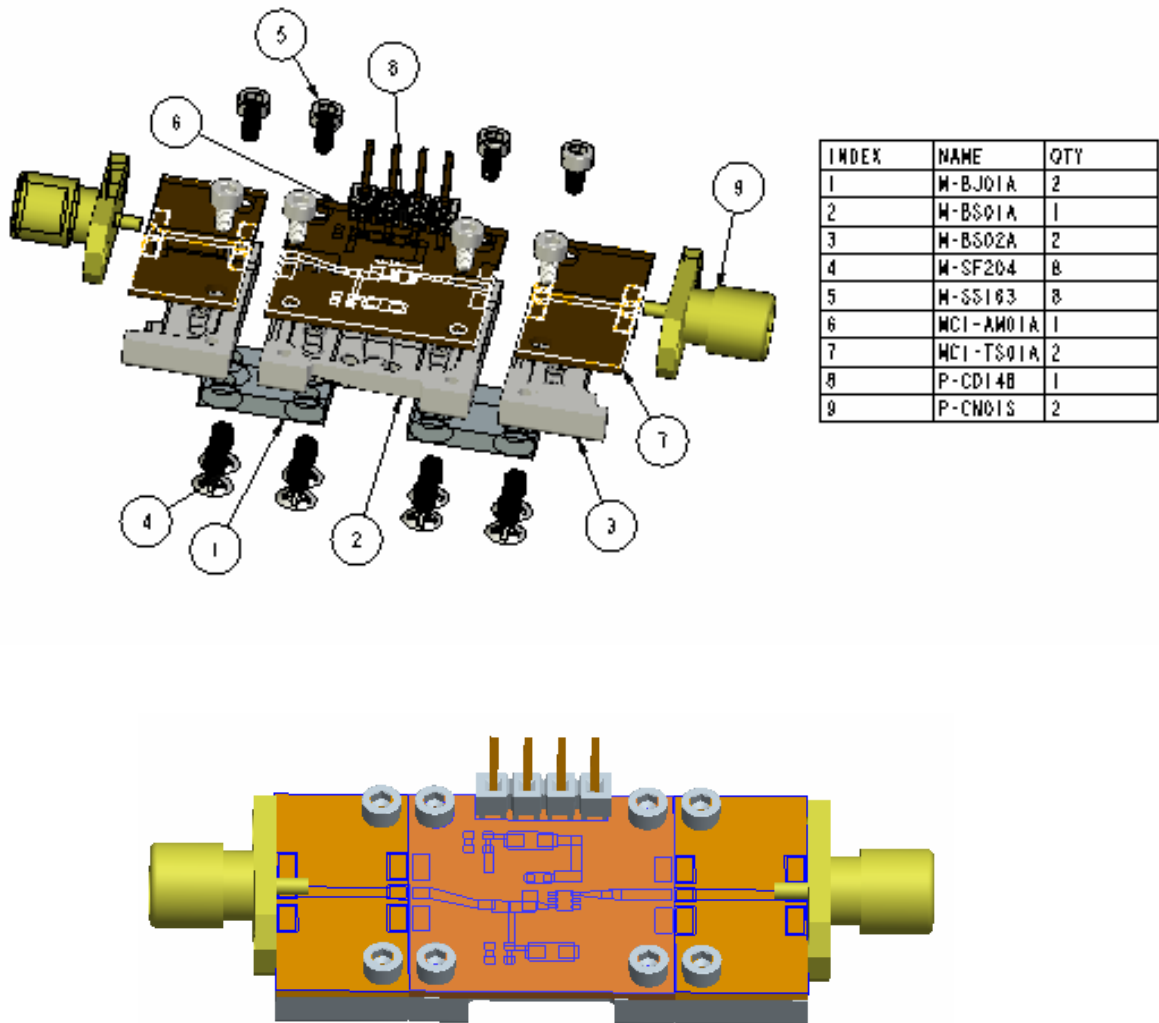


Fig. 1: Single cell with side launch fixture assembly

Example Two: Array Cell Assembly

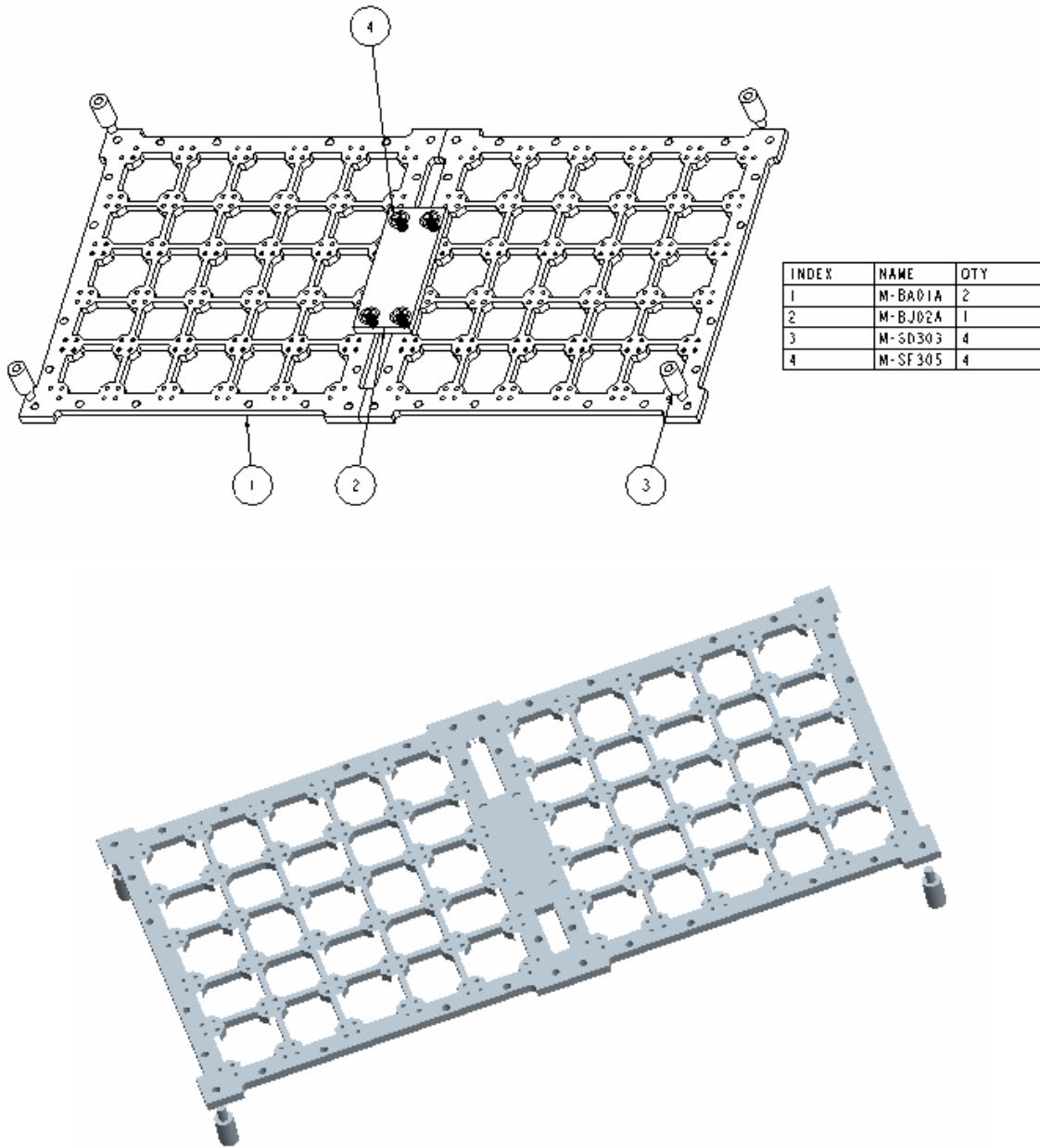


Fig.2: Array Cell Assembly

Example Three: Module Assembly

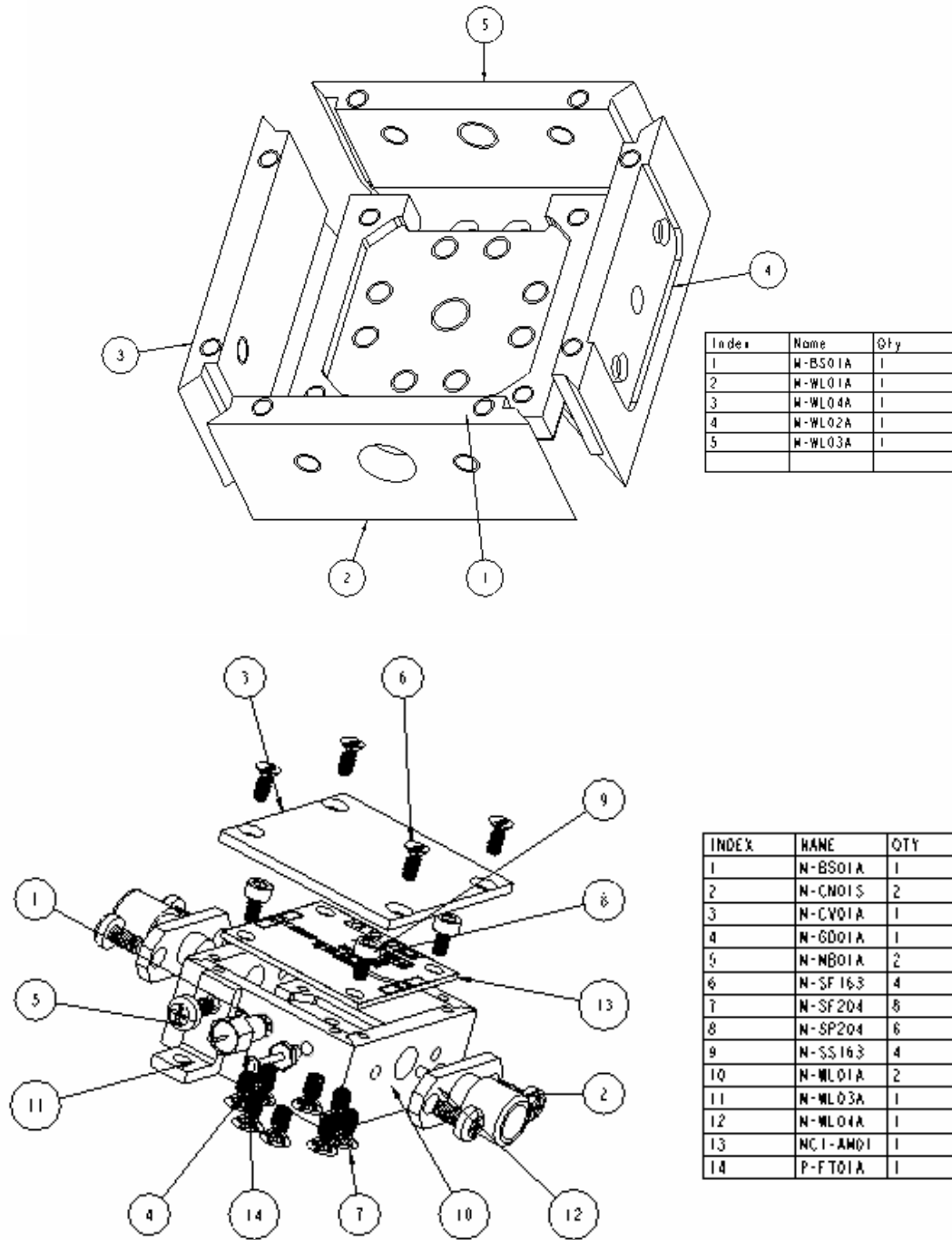


Fig.3: Module Assembly