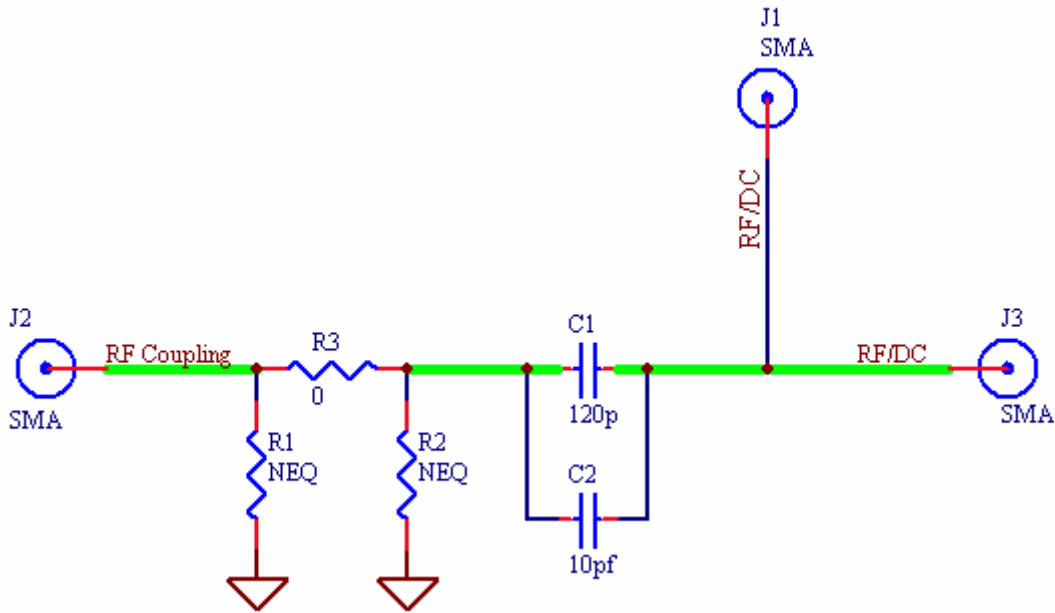


RoHS Compliant & Pb Free Product

MC1-BT02A

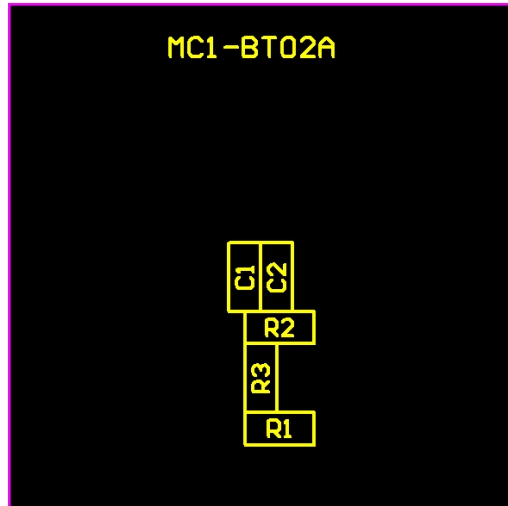
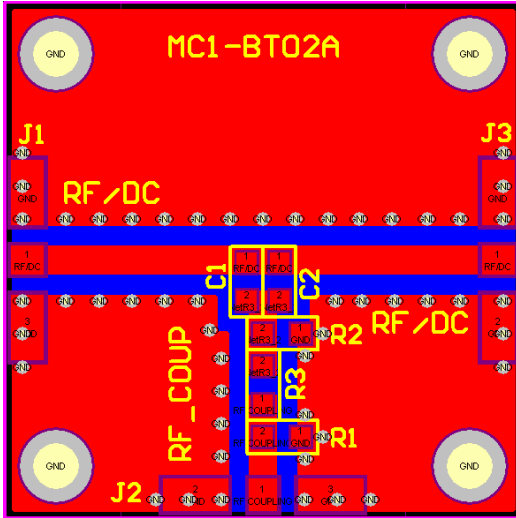
- Category: Bias Tee (RF Decoupler)
- Device Package: RLCs (0603 or 0402)
- Cell Size: Single (1x1)
- PCB Material/Layer Details: RO4350/Single layer with thickness 0.020"

Schematic:



MC1-BT02A PCB Layout:

MC1-BT02A Assembly Drawing:



Bill of Material Example:

Used	Part Type	Designator	Footprint
1	0	R3	0603
1	10pf	C2	0603
1	120p	C1	0603
2	NEQ	R1 R2	0603