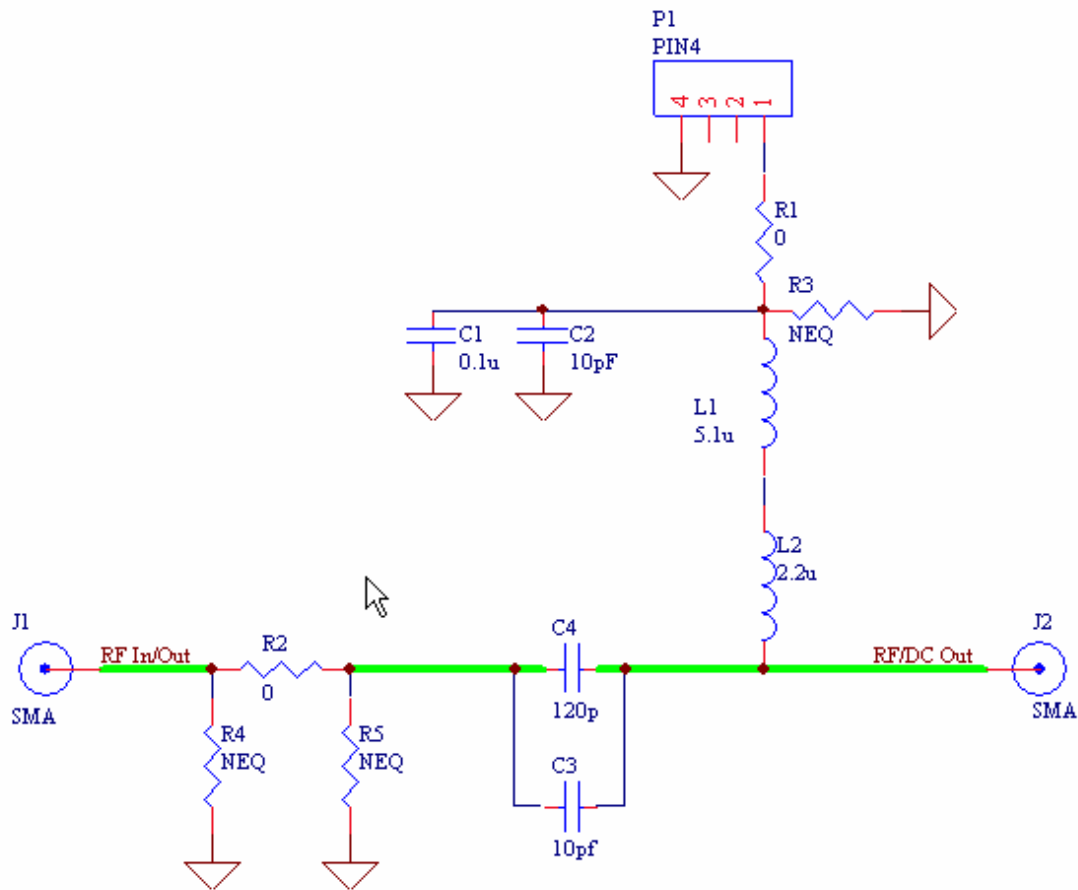


RoHS Compliant & Pb Free Product

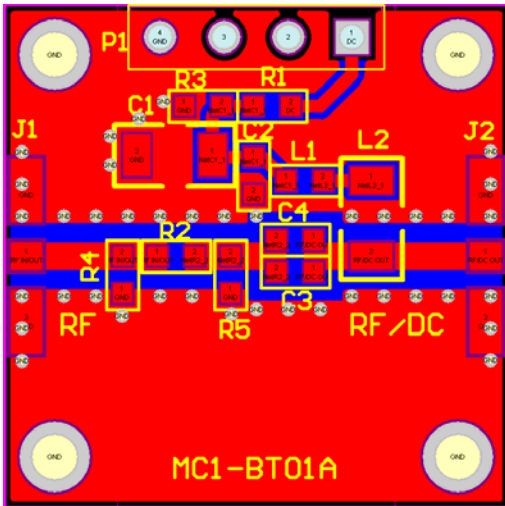
MC1-BT01A

- Category: Bias Tee
- Device Package: RLCs (0603 or 0402)
- Cell Size: Single (1x1)
- PCB Material/Layer Details: RO4350/Single layer with thickness 0.020"

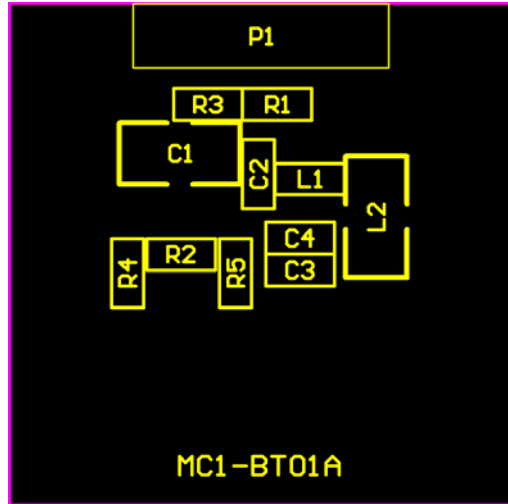
Schematic:



MC1-BT01A PCB Layout:



MC1-BT01A Assembly Drawing:



Bill of Material Example:

Used	Part Type	Designator	Footprint
2	0	R1 R2	0603
1	0.1u	C1	1206
1	2.2u	L2	1206
1	5.1u	L1	0603
2	10pF	C2 C3	0603
1	120p	C4	0603
3	NEQ	R3 R4 R5	0603
1	PIN4	P1	P2_CON4_S