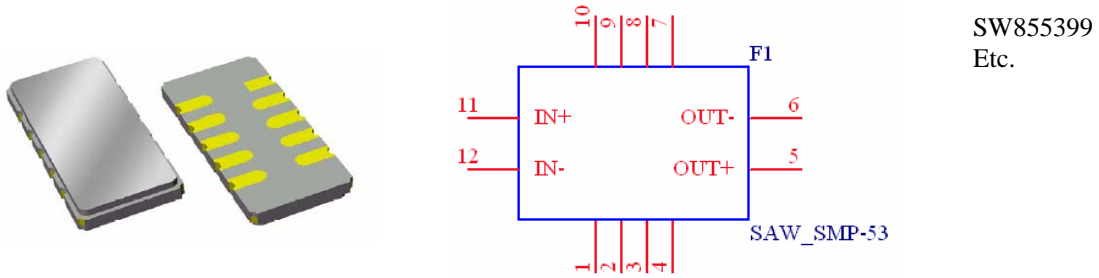


**RoHS Compliant & Pb Free Product**

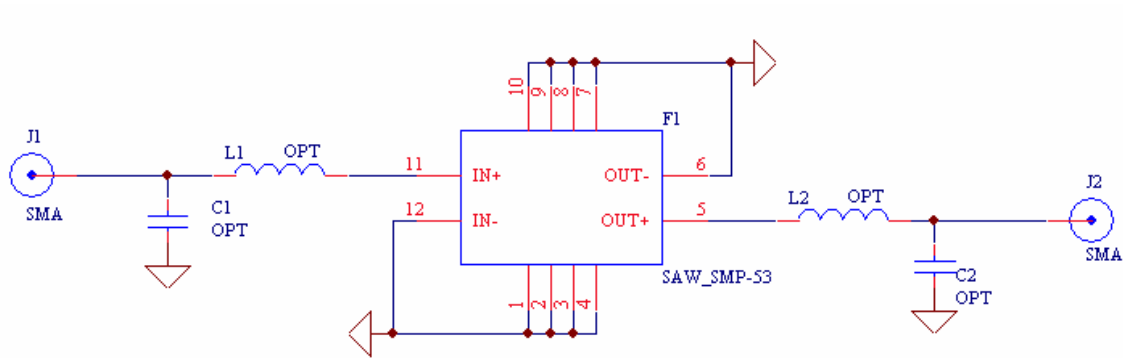
**MC1-FL08A**

- Category: Filters
- Device Packages : SMP-53 (SAWTEK)
- Cell Size: Single (1x1)
- PCB Material/Layer Details: RO4350/2 layer with thickness 0.020"

**Supported Device Package and Its Pin Allocation:**



**Schematic:**

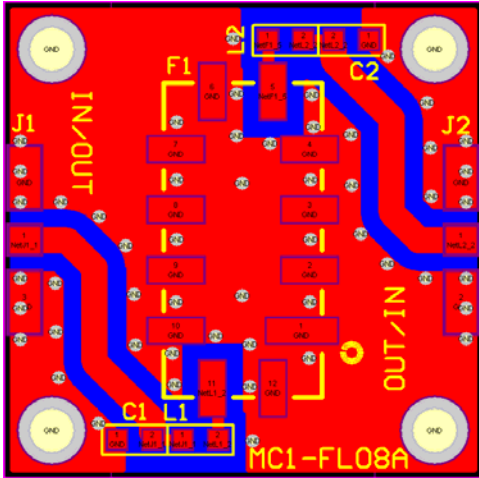


**Option Table**

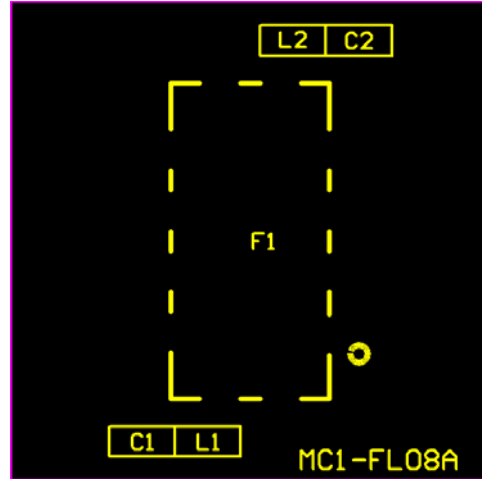
	C1, C2	L1, L2
All Components	See Datasheet	See Datasheet

h

**MC1-FL08A PCB Layout:**



**MC1-FL08A Assembly Drawing:**



**Minimum supported devices and its vendors:**

Triquint		
854656	854909	855068
854657	854913	855399
854658	854916	855444
854659	854917	855529
854660	854919	855530
854661	854920	855659
854662	854923	855677
854663	854927	855678
854664	856592	855679
854665	856656	855884
854666		855885
854667		
854668		
854669		
854670		
854675		
854678		
854680		

**Bill of Material Example:**

Used	Part Type	Designator	Footprint
4	OPT	C1 C2 L1	0603
1	SAW_SMP-53	F1	SMP-53