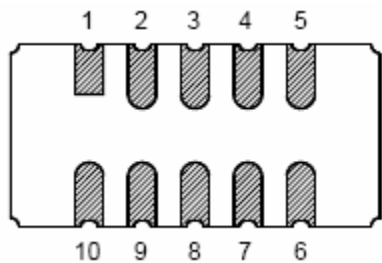


RoHS Compliant & Pb Free Product

MC1-FL06A

- Category: Filters
- Device Packages : SMP-28 (SAWTEK)
- Cell Size: Single (1x1)
- PCB Material/Layer Details: RO4350/2 layer with thickness 0.020"

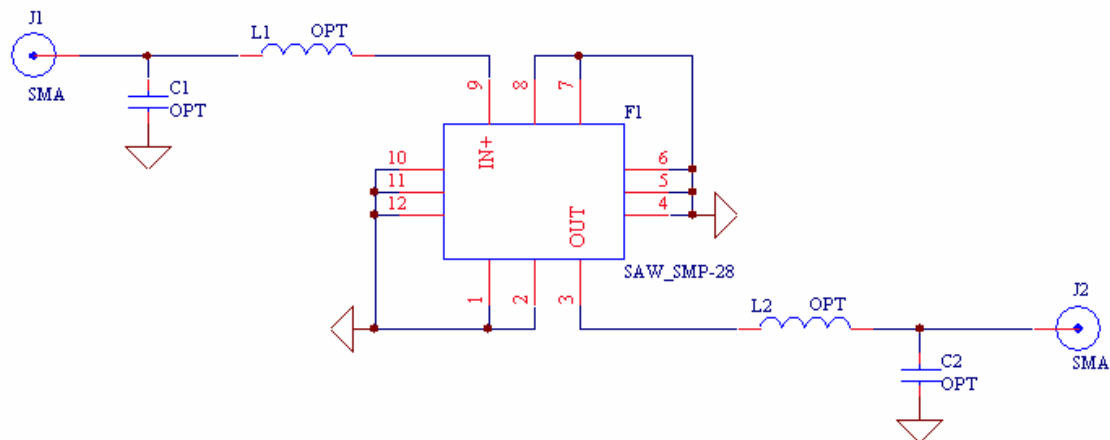
Supported Device Package and Its Pin Allocation:



Pin No.	Description
5	Output
10	Input
1,6	Ground
2,3,4	Case ground
7,8,9	Case ground

SW855398
Etc.

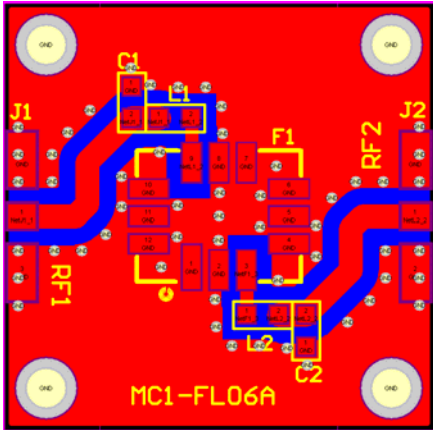
Schematic:



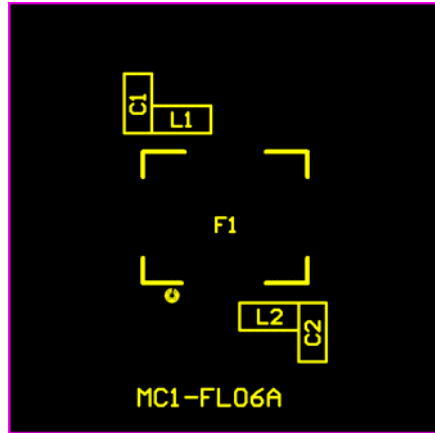
Option Table

	C1, C2	L1, L2
All Components	See Datasheet	See Datasheet

MC1-FL06A PCB Layout:



MC1-FL06A Assembly Drawing:



Minimum supported devices and its vendors:

Triquint
855091
855094
855271
855272
855398
855559
855561
855653
855869
856273

Bill of Material Example:

Used	Part Type	Designator	Footprint
4	OPT	C1 C2 L1 L2	0603
1	SAW_SMP-28	F1	SMP-28