

RoHS Compliant & Pb Free Product

MC1-FL04A

- Category: Filters
- Device Package: FV1206 (Mini-Circuits)
- Cell Size: Single (1x1)
- PCB Material/Layer Details: RO4350/2 layer with thickness 0.020"

Supported Device Package and Its Pin Allocation:

Pin Connections

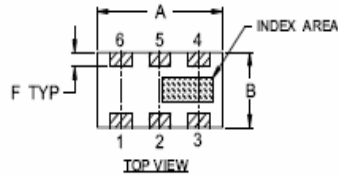
RF IN	1**
RF OUT	3**
GROUND	2,4,5,6

LFCN Series
HFCN Series

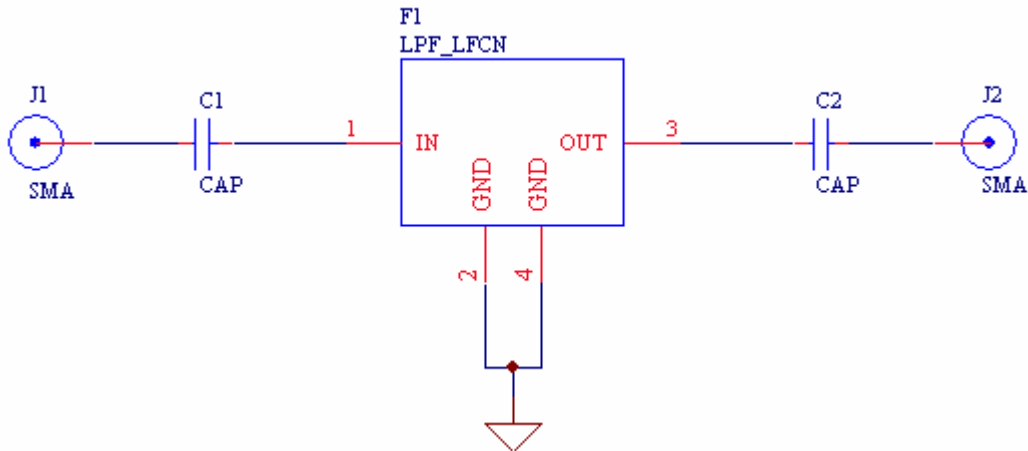
***RF IN & RF OUT can be interchanged*



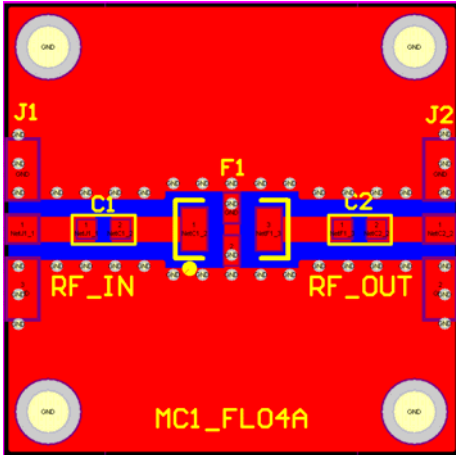
Outline Drawing



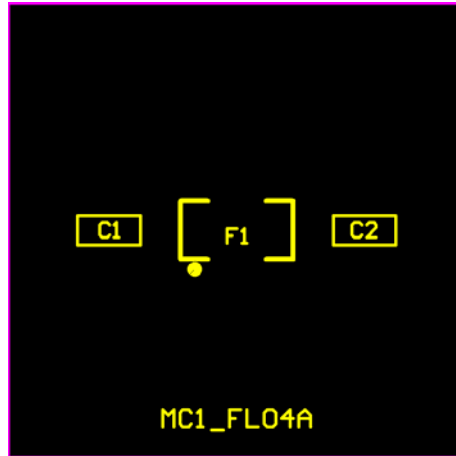
Schematic:



MC1-FL04A PCB Layout:



MC1-FL04A Assembly Drawing:



Minimum supported devices and its vendors:

Mini-Circuits
LFCN HFCN

Bill of Material Example:

Used	Part Type	Designator	Footprint
2	CAP	C1 C2	0603
1	LPF_LFCN	F1	FV1206