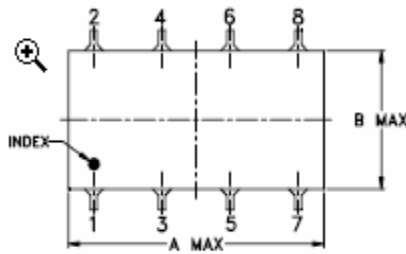


**RoHS Compliant & Pb Free Product**

**MC1-FL01A**

- Category: Filters
- Device Package: YY161
- Cell Size: Single (1x2)
- PCB Material/Layer Details: RO4350/2 layer with thickness 0.020"

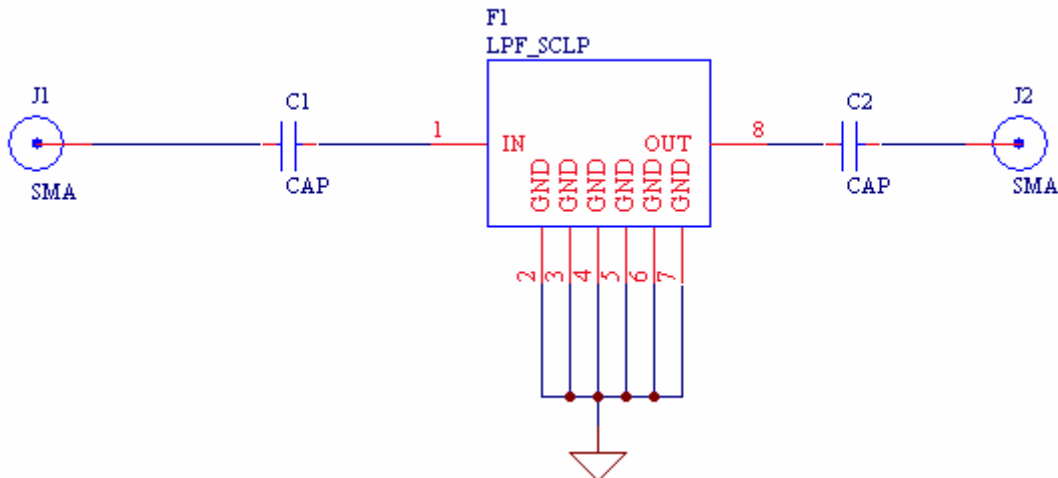
**Supported Device Package and Its Pin Allocation:**



SALF series  
SCLP series  
SCHF series

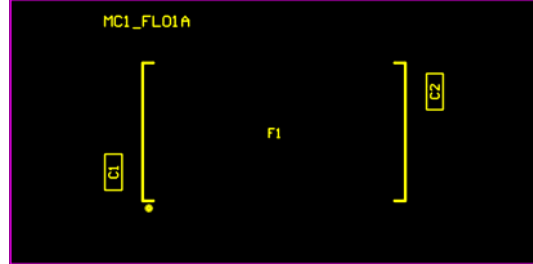
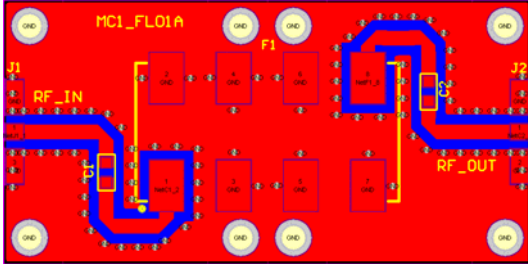
INPUT	1
OUTPUT	8
GROUND	2,3,4,5,6,7

**Schematic:**



**MC1-FL01A PCB Layout:**

**MC1-FL01A Assembly Drawing:**



**Minimum supported devices and its vendors:**

Mini-Circuits
SCLP
SALF
SCHF

**Bill of Material Example:**

Used	Part Type	Designator	Footprint
2	CAP	C1 C2	0603
1	LPF_SCLP	F1	YY161