

RoHS Compliant & Pb Free Product

MC1-FL03A

- Category: Filters
- Device Package: FR933 (Mini-Circuits)
- Cell Size: Single (1x1)
- PCB Material/Layer Details: RO4350/2 layer with thickness 0.020"

Supported Device Package and Its Pin Allocation:

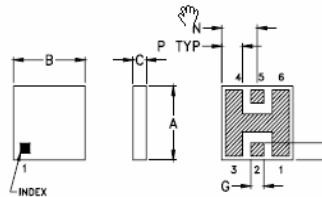
RF IN	2**
RF OUT	5**
GROUND	1,3,4,6

** RF IN & RF OUT can be interchanged

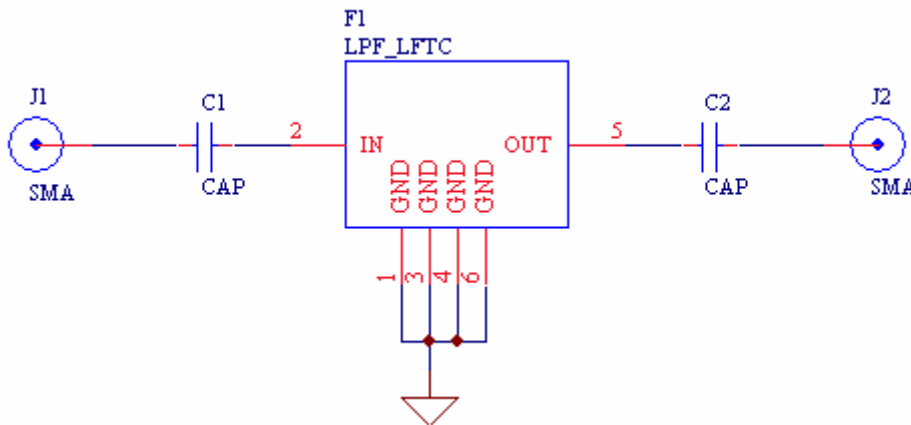
LFTC Series
HFTC Series



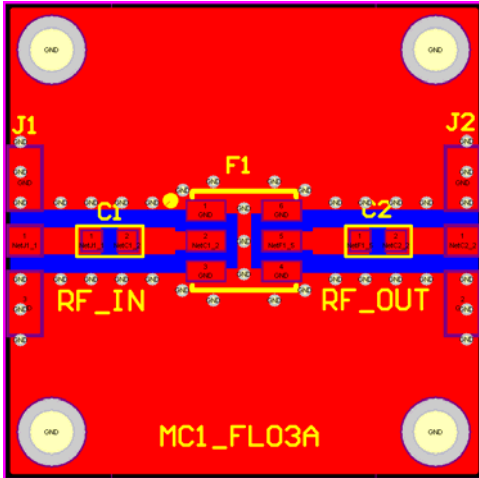
Outline Drawing



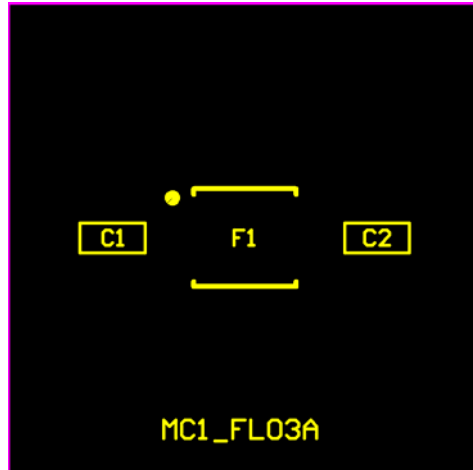
Schematic:



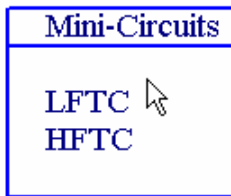
MC1-FL03A PCB Layout:



MC1-FL03A Assembly Drawing:



Minimum supported devices and its vendors:



Bill of Material Example:

Used	Part Type	Designator	Footprint
2	CAP	C1 C2	0603
1	LPF_LFTC	F1	FR933