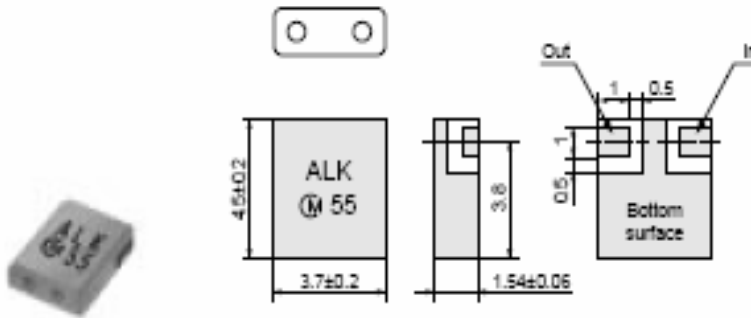


RoHS Compliant & Pb Free Product

MC1-FL02A

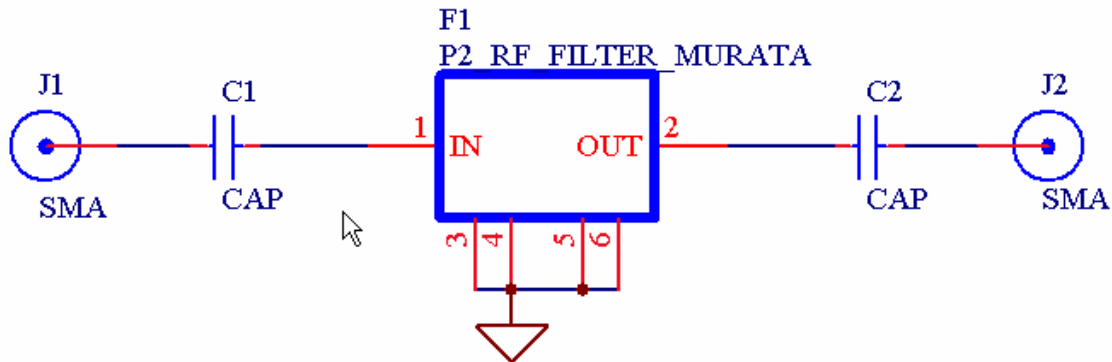
- Category: Filters
- Device Package: P084LHA (Murata)
- Cell Size: Single (1x1)
- PCB Material/Layer Details: RO4350/2 layer with thickness 0.020"

Supported Device Package and Its Pin Allocation:

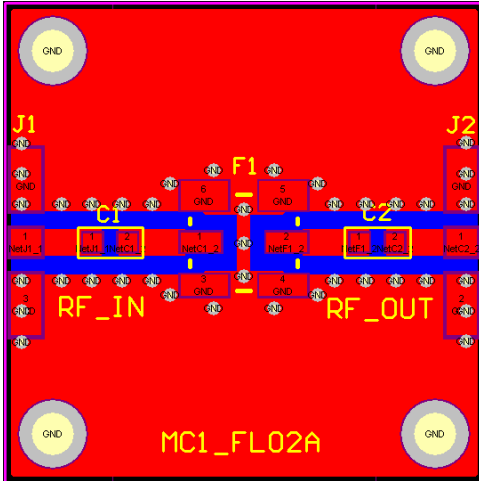


DFCB Series

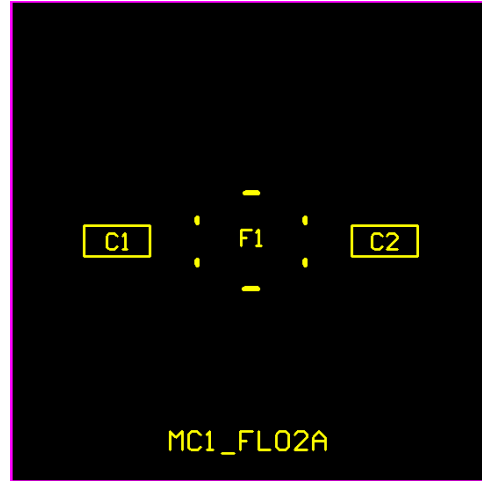
Schematic:



MC1-FL02A PCB Layout:



MC1-FL02A Assembly Drawing:



Minimum supported devices and its vendors:

Murata: DFCB series

Bill of Material Example:

Used Part Type	Designator	Footprint
2 CAP	C1 C2	0603
1 P2_RF_FILTER_MURATA	F1	P084LHA