

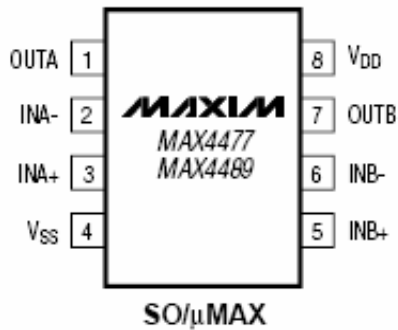
RoHS Compliant & Pb Free Product

MC1-OP05A

- Category: Op-amp applications (detail refers to MC1-AN004 under application examples)
- Device Package: SOIC-8
- Cell Size: Single (1x1)
- PCB Material/Layer Details: RO4350/4 layer with thickness 0.030"

Supported Device Package and Its Pin Allocation:

TOP VIEW

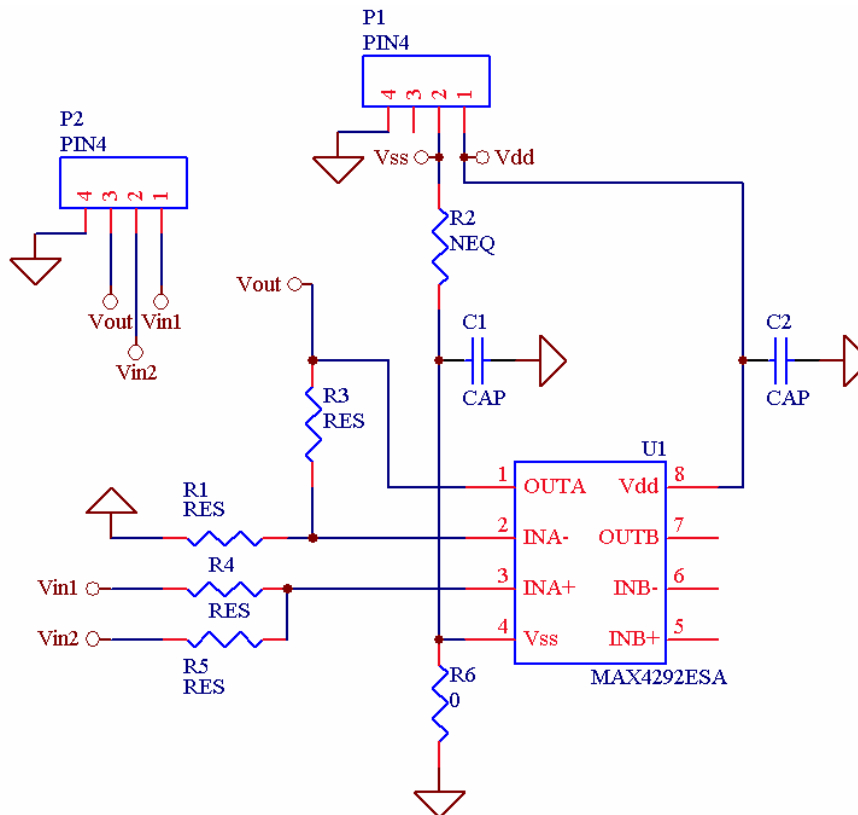


MAX4489

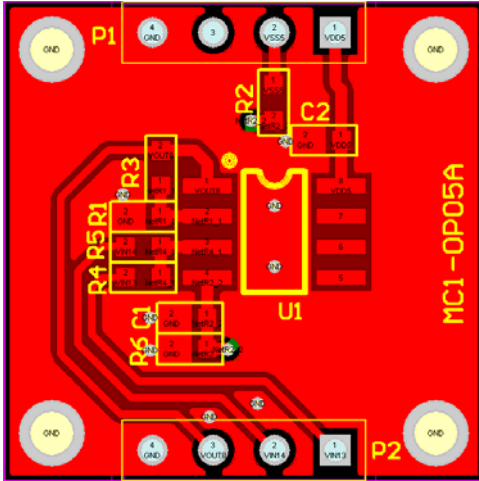
Op Amp Applications
(MC1-OP05A)

Non-Inverting Amplifier
Unity Gain Buffer
Non-Inverting Summing
Amplifier

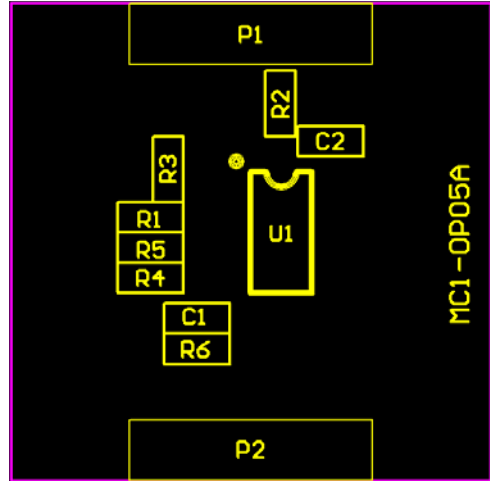
Schematic:



MC1-OP05A PCB Layout:



MC1-OP05A Assembly Drawing:



Minimum supported devices and its vendors:

| MAXIM | ANALOG DEVICE | NATIONAL |
|------------|---------------|-----------|
| LMX358ASA | OP200GSZ | LM833M |
| MAX407ESA | OP249GSZ | LMC6035IM |
| MAX412ESA | OP270GSZ | LMC6482IM |
| MAX417ESA | OP275GSZ | LMH6622MA |
| MAX4042ESA | OP279GSZ | LMH6626MA |
| MAX4077ESA | OP281GSZ | LMH6643MA |
| MAX4092ASA | OP282GSZ | LMH6646MA |
| MAX4126ESA | OP285GSZ | LMH6655MA |
| MAX4128ESA | OP291GSZ | LMH6658MA |
| MAX4132ESA | OP292GSZ | LMH6682MA |
| MAX4163ESA | OP295GSZ | LMP2012MA |
| MAX4167ESA | AD706ARZ | LMV342MA |
| MAX4242ESA | AD712JR | LMV358M |
| MAX4252ESA | AD746JR | LMV722M |
| MAX4257ESA | AD812ARZ | LMV772MA |
| MAX4282ESA | AD823ARZ | LMV822M |
| MAX4292ESA | AD828ARZ | LMV932MA |
| MAX4326ESA | AD8012ARZ | |
| MAX4332ESA | AD8017ARZ | |
| MAX4402ESA | AD8018ARZ | |
| MAX4471ESA | AD8019ARZ | |
| MAX4474ESA | AD8022ARZ | |
| MAX4482ESA | AD8032ARZ | |
| MAX4486ESA | AD8042ARZ | |
| MAX4489ESA | AD8052ARZ | |
| MAX4494ESA | AD8062ARZ | |
| | AD8072ARZ | |
| | AD8397ARZ | |
| | AD8527ARZ | |
| | AD8529ARZ | |
| | AD8532ARZ | |
| | AD8599ARZ | |
| | AD8617ARZ | |
| | AD8620ARZ | |
| | AD8642ARZ | |
| | AD8656ARZ | |
| | AD8662ARZ | |
| | AD8666ARZ | |
| | AD8676ARZ | |
| | AD8692ARZ | |
| | AD8698ARZ | |

Bill of Material Example:

| Used | Part Type | Designator | Footprint |
|------|------------|----------------|-----------|
| 1 | 0 | R6 | 0603 |
| 2 | CAP | C1 C2 | 0603 |
| 1 | MAX4292ESA | U1 | SOIC-8 |
| 1 | NEQ | R2 | 0603 |
| 2 | PIN4 | P1 P2 | P2_CON4_S |
| 4 | RES | R1 R3 R4 R5 | 0603 |