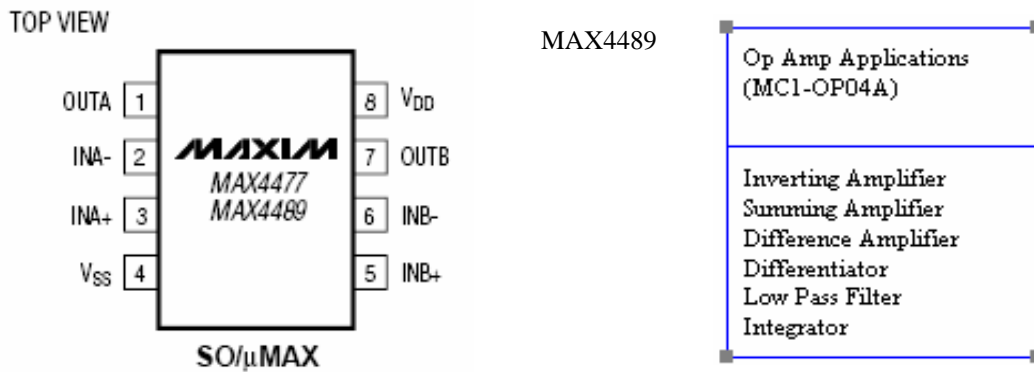


RoHS Compliant & Pb Free Product

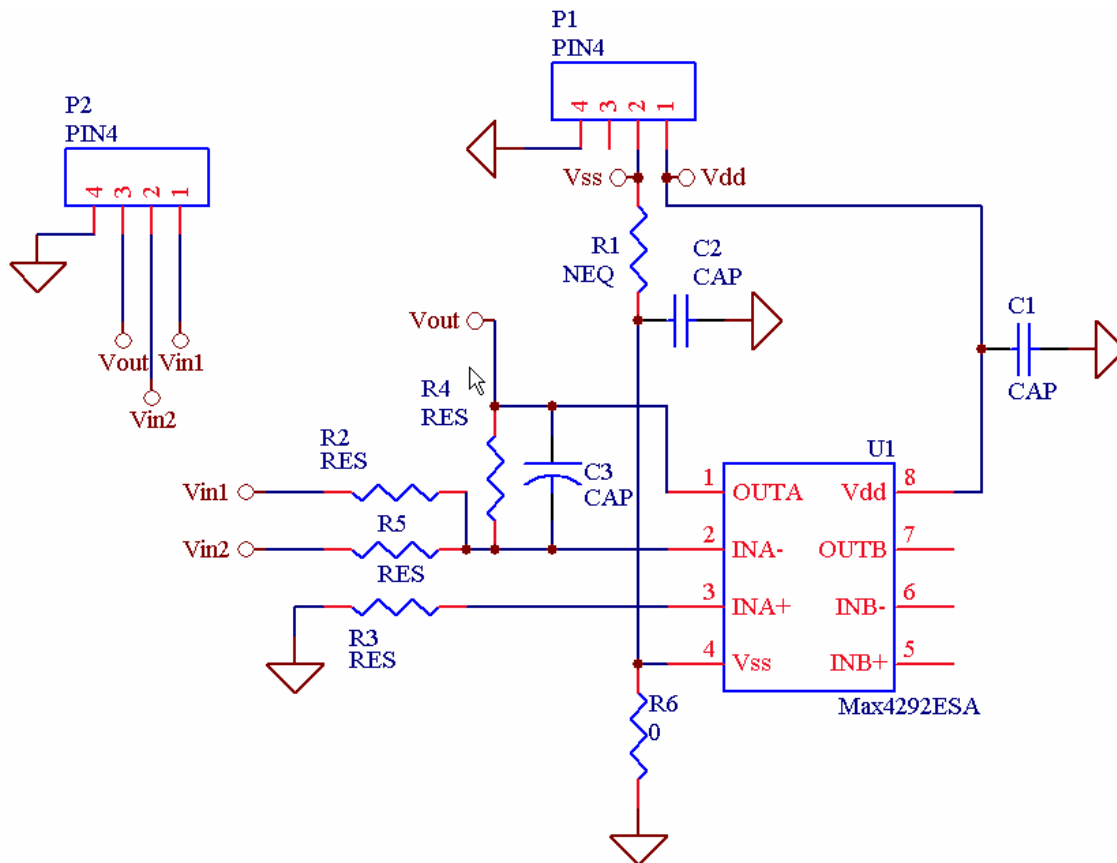
MC1-OP04A

- Category: Op-amp applications (detail refers to MC1-AN004 under application examples)
- Device Package: SOIC-8
- Cell Size: Single (1x1)
- PCB Material/Layer Details: RO4350/4 layer with thickness 0.030"

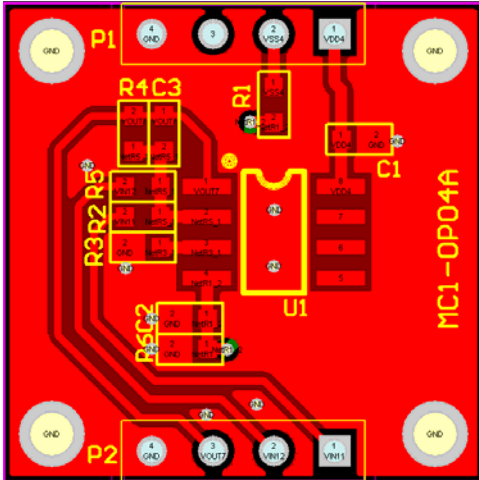
Supported Device Package and Its Pin Allocation:



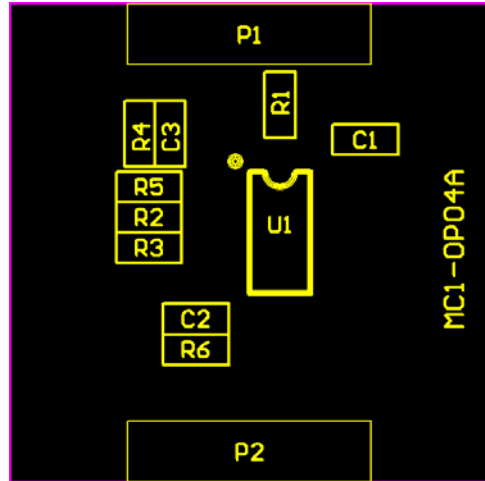
Schematic:



MC1-OP04A PCB Layout:



MC1-OP04A Assembly Drawing:



Minimum supported devices and its vendors:

MAXIM	ANALOG DEVICE	NATIONAL
LMX358ASA	OP200GSZ	LM833M
MAX407ESA	OP249GSZ	LMC6035IM
MAX412ESA	OP270GSZ	LMC6482IM
MAX417ESA	OP275GSZ	LMH6622MA
MAX4042ESA	OP279GSZ	LMH6626MA
MAX4077ESA	OP281GSZ	LMH6643MA
MAX4092ASA	OP282GSZ	LMH6646MA
MAX4126ESA	OP285GSZ	LMH6655MA
MAX4128ESA	OP291GSZ	LMH6658MA
MAX4132ESA	OP292GSZ	LMH6682MA
MAX4163ESA	OP295GSZ	LMP2012MA
MAX4167ESA	AD706ARZ	LMV342MA
MAX4242ESA	AD712JR	LMV358M
MAX4252ESA	AD746JR	LMV722M
MAX4257ESA	AD812ARZ	LMV772MA
MAX4282ESA	AD823ARZ	LMV822M
MAX4292ESA	AD828ARZ	LMV932MA
MAX4326ESA	AD8012ARZ	
MAX4332ESA	AD8017ARZ	
MAX4402ESA	AD8018ARZ	
MAX4471ESA	AD8019ARZ	
MAX4474ESA	AD8022ARZ	
MAX4482ESA	AD8032ARZ	
MAX4486ESA	AD8042ARZ	
MAX4489ESA	AD8052ARZ	
MAX4494ESA	AD8062ARZ	
	AD8072ARZ	
	AD8397ARZ	
	AD8527ARZ	
	AD8529ARZ	
	AD8532ARZ	
	AD8599ARZ	
	AD8617ARZ	
	AD8620ARZ	
	AD8642ARZ	
	AD8656ARZ	
	AD8662ARZ	
	AD8666ARZ	
	AD8676ARZ	
	AD8692ARZ	
	AD8698ARZ	

Bill of Material Example:

Used	Part Type	Designator	Footprint
1	0	R6	0603
2	CAP	C1 C2	0603
1	Max4292ESA	U1	SOIC-8
1	NEQ	R1	0603
1	Opt	C3	0603
2	PIN4	P1 P2	P2_CON4_S
4	RES	R2 R3 R4	0603
		R5	