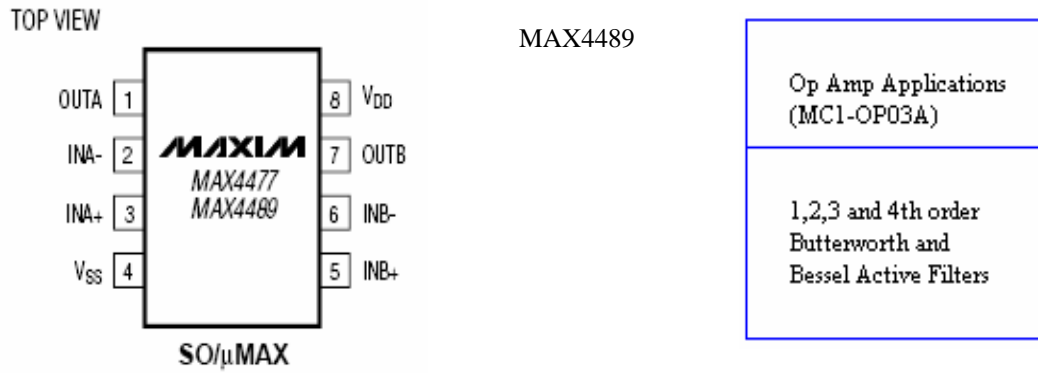


**RoHS Compliant & Pb Free Product**

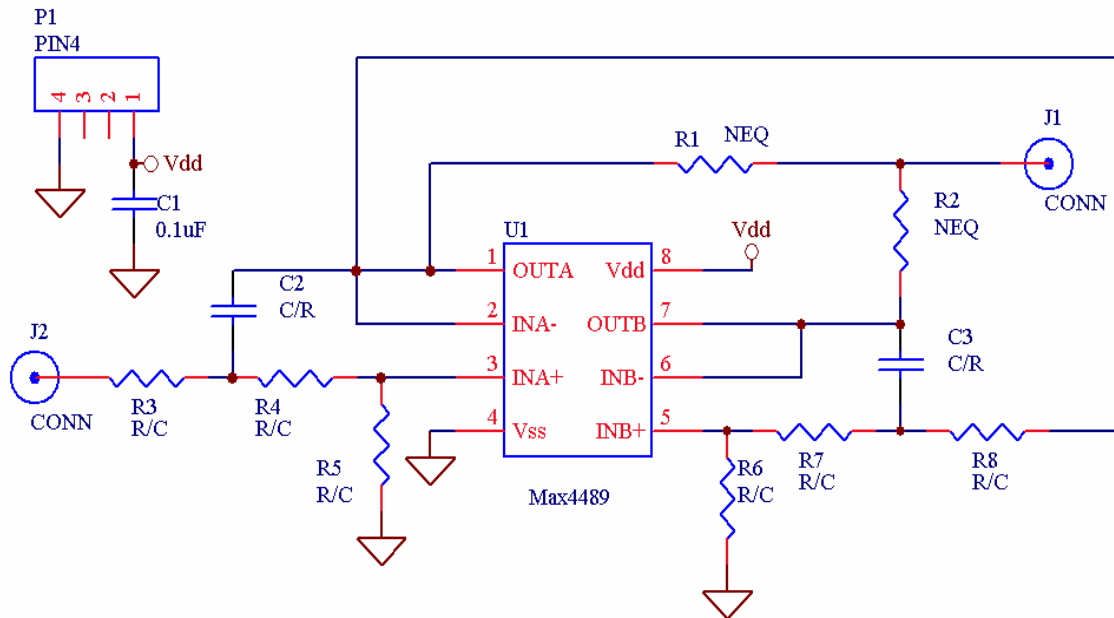
**MC1-OP03A**

- Category: Op-amp applications (detail refers to MC1-AN004 under application examples)
- Device Package: MSOP-8
- Cell Size: Single (1x1)
- PCB Material/Layer Details: RO4350/4 layer with thickness 0.030"

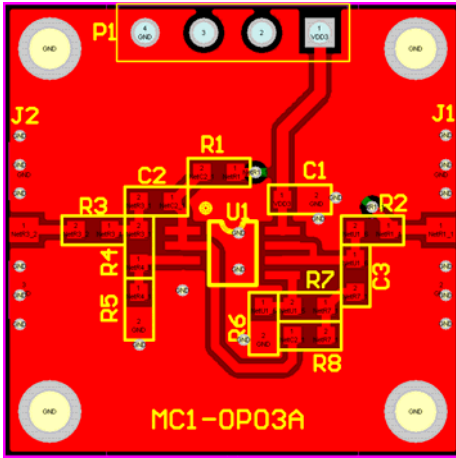
**Supported Device Package and Its Pin Allocation:**



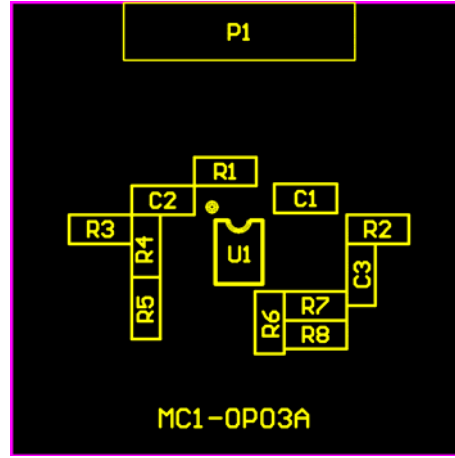
**Schematic:**



**MC1-OP03A PCB Layout:**



**MC1-OP03A Assembly Drawing:**



**Minimum supported devices and its vendors:**

MAXIM	ANALOG DEVICE	NATIONAL
LMX358AUA	OP282ARMZ	LM833MM
MAX4038EUA	AD8012ARMZ	LM8262MM
MAX4042EUA	AD8022ARMZ	LM8272MM
MAX4077EUA	AD8032ARMZ	LMC6035MM
MAX4092AUA	AD8052ARMZ	LMC6482IMM
MAX4126EUA	AD8062ARMZ	LMH6622MM
MAX4128EUA	AD8529ARMZ	LMH6626MM
MAX4132EUA	AD8532ARMZ	LMH6643MM
MAX4163EUA	AD8617ARMZ	LMH6646MM
MAX4167EUA	AD8642ARMZ	LMH6655MM
MAX4242EUA	AD8656ARMZ	LMH6658MM
MAX4252EUA	AD8662ARMZ	LMH6682MM
MAX4257EUA	AD8666ARMZ	LMP552MM
MAX4282EUA	AD8676ARMZ	LMP2012MM
MAX4292EUA	AD8692ARMZ	LMP7702MM
MAX4326EUA	AD8698ARMZ	LMP7708MM
MAX4332EUA		LMP7716MM
MAX4402EUA		LMV342MM
MAX4471EUA		LMV358MM
MAX4474EUA		LMV716MM
MAX4482EUA		LMV722MM
MAX4486EUA		LMV727MM
MAX4489EUA		LMV792MM
MAX4494EUA		LMV797MM
		LMV822MM
		LMV932MM

**Bill of Material Example:**

Used	Part Type	Designator	Footprint
-----	-----	-----	-----
1	0.1uF	C1	0603
2	C/R	C2 C3	0603
2	CONN	J1 J2	P2_RF_43
1	Max4489	U1	MSOP-8
2	NEQ	R1 R2	0603
1	PIN4	P1	P2_CON4_S
6	R/C	R3 R4 R5 R6 R7 R8	0603