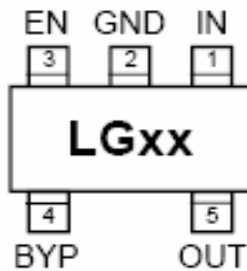


RoHS Compliant & Pb Free Product

MC1-LD04A

- Category: Regulators
- Device Package: SOT-23-5
- Cell Size: Single (1x1)
- PCB Material/Layer Details: RO4350/2 layer with thickness 0.020"

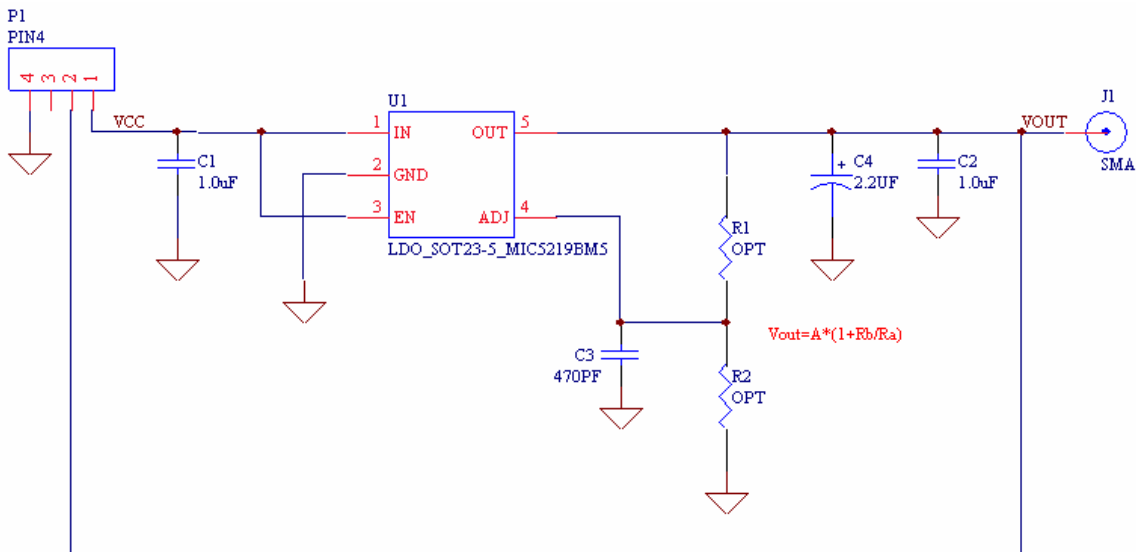
Supported Device Package and Its Pin Allocation:



- MIC5238
- MIC5247
- MIC5255
- MIC5256
- MIC5259
- MIC5305
- MIC5306
- MIC5319
- MIC5219

**MIC5219-x.xBM5
SOT-23-5**

Schematic:

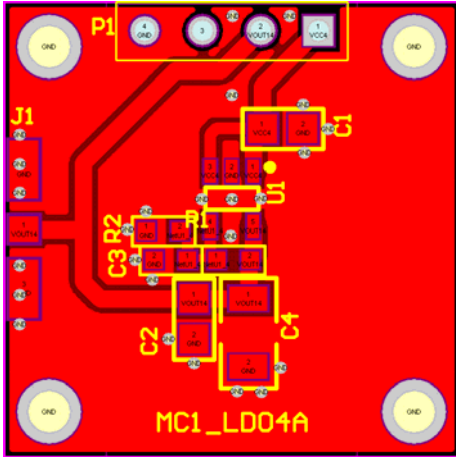


Option Table

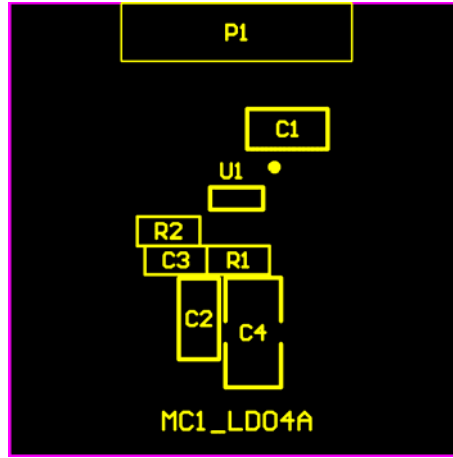
	R1	R2
Fixed Output	Neq	Neq
Adjustable Output	Ra	Rb

$V_{out}=A*(1+R_b/R_a)$
A: see datasheet

MC1-LD04A PCB Layout:



MC1-LD04A Assembly Drawing:



Minimum supported devices and its vendors:

MICREL	MAXIM	TI	NATIONAL
MIC5219	MAX1598	LP2981-XX	LP2980IM5
MIC5238	MAX8877	LP2985-XX	LP2981IM5
MIC5247	MAX8878	REG101-X	LP2982IM5
MIC5255		REG102-X	LP2983IM5
MIC5256		REG113-X	LP29825M5
MIC5259		TPS721XX	LP2992MF
MIC5305		TPS722XX	LP3984MF
MIC5306		TPS730XX	LP3985MF
MIC5319		TPS731XX	LP3990MF
		TPS732XX	LP3992
		TPS736XX	LP5951MF
		TPS760XX	LP8358MF
		TPS770XX	
		TPS761XX	
		TPS76201	
		TPS763XX	
		TPS764XX	
		TPS769XX	
		TPS789XX	
		TPS790XX	
		TPS791XX	
		TPS792XX	
		TPS793XX	
		TPS799XX	

Bill of Material Example:

Used	Part Type	Designator	Footprint
2	1.0uF	C1 C2	0805
1	2.2UF	C4	1206
1	470PF	C3	0603
1	LDO_SOT23-5_MIC5219BM5	U1	SOT-23-5
1	PIN4	P1	P2_CON4_S
1	Ra	R1	0603
1	Rb	R2	0603