

RoHS Compliant & Pb Free Product

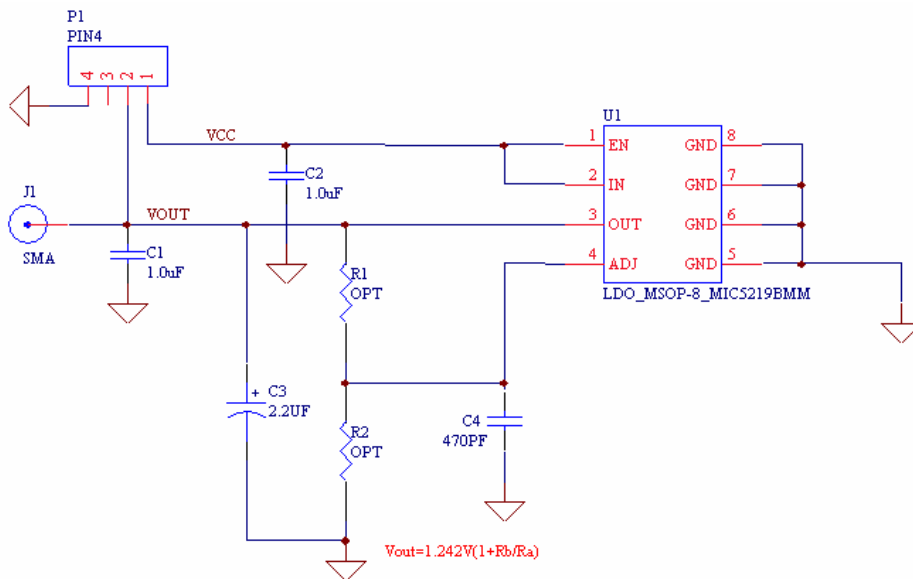
MC1-LD03A

- Category: Regulators
- Device Package: MSOP-8
- Cell Size: Single (1x1)
- PCB Material/Layer Details: RO4350/2 layer with thickness 0.020"

Supported Device Package and Its Pin Allocation:



Schematic:



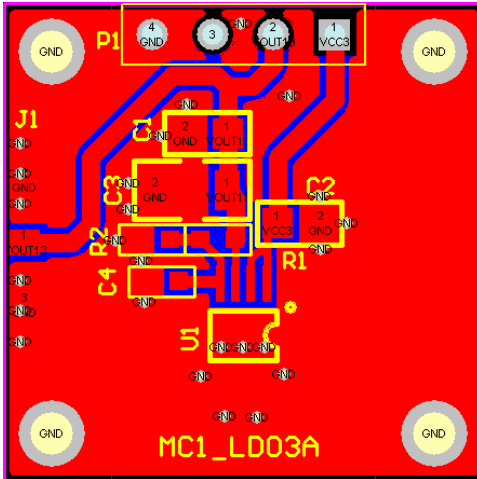
Option Table

	R1	R2
Fixed Output	Neq	Neq
Adjustable Output	Ra	Rb

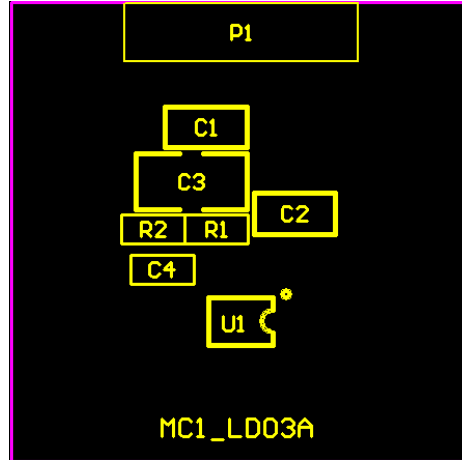
$V_{out} = A * (1 + R_b / R_a)$

A: see datasheet

MC1-LD03A PCB Layout:



MC1-LD03A Assembly Drawing:



Minimum supported devices and its vendors:

MICREL
MIC5216
MIC5219
MIC5236
MIC3775
MIC3975
MIC49150

Bill of Material Example:

Used	Part Type	Designator	Footprint
2	1.0uF	C1 C2	0805
1	2.2UF	C3	1206
1	470PF	C4	0603
1	LDO_MSOP-8_MIC5219BMM	U1	MSOP-8
1	PIN4	P1	P2_CON4_S
1	Ra	R1	0603
1	Rb	R2	0603