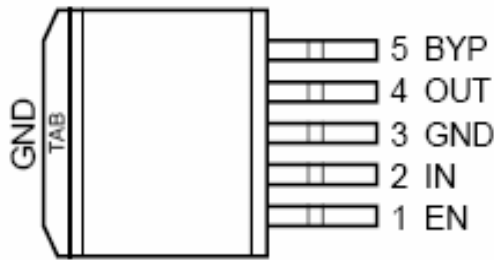


RoHS Compliant & Pb Free Product

MC1-LD02A

- Category: Regulators
- Device Package: TO-263-5
- Cell Size: Single (1x2)
- PCB Material/Layer Details: RO4350/2 layer with thickness 0.020"

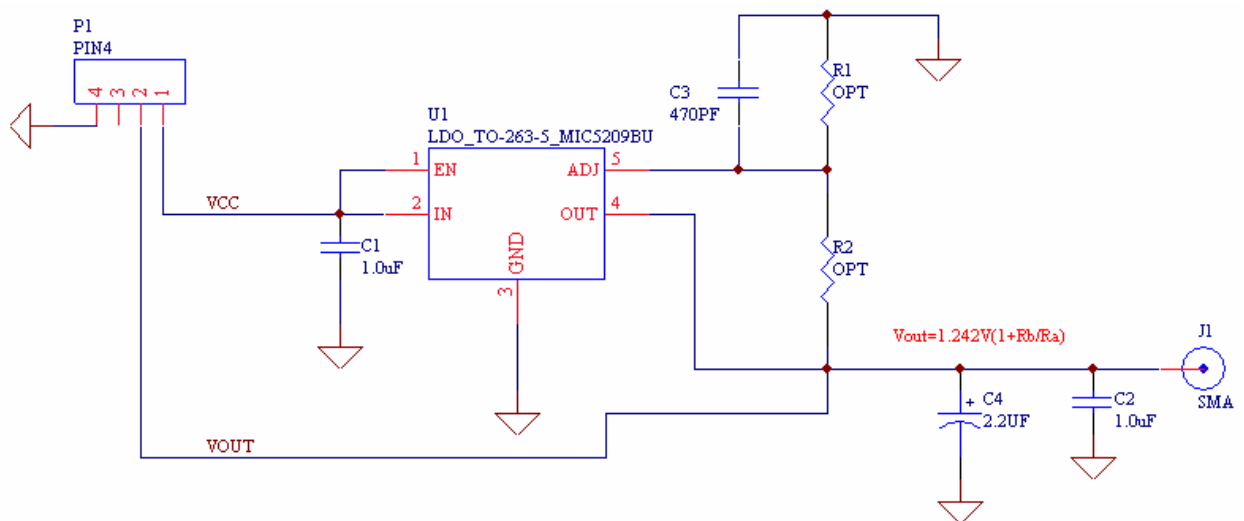
Supported Device Package and Its Pin Allocation:



MIC5209-x.xBU
TO-263-5

- | | |
|------------|-----------|
| MIC29201 | MIC2940A |
| MIC29202 | MIC2941Am |
| MIC5209 | MIC2915x |
| MIC5237 | MIC39150 |
| MIC29371 | MIC39151 |
| MIC29372 | MIC37252 |
| MIC2937A | |
| MIC2930x | |
| MIC29310/2 | |
| MIC29311 | |
| MIC3750x | |
| MIC3950x | |

Schematic:

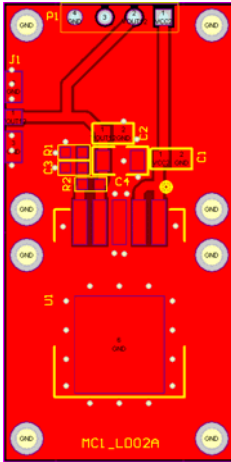


Option Table

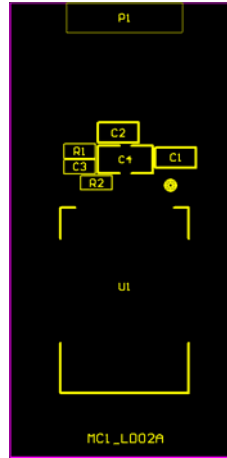
	R1	R2
Fixed Output	Neq	Neq
Adjustable Output	Rb	Ra

$V_{out} = A * (1 + R_b/R_a)$
A: see datasheet

MC1-LD02A PCB Layout:



MC1-LD02A Assembly Drawing:



Minimum supported devices and its vendors:

MICREL	NATIONAL
MIC29201	LP3852ES
MIC29202	LP3853ES
MIC5209	LP3855ES
MIC5237	LP3856ES
MIC29371	LP3871ES
MIC29372	LP3872ES
MIC2937A	LP3873ES
MIC2940A	LP3874ES
MIC2941Am	LP3875ES
MIC2915x	LP3876ES
MIC39150/1	LP3881ES
MIC37252	LP3882ES
MIC2930x	LP3883ES
MIC29310/2	LP3891ES
MIC29311	LP3892ES
MIC3750x	LP3893ES
MIC3950x	LP3961ES
	LP3962ES
	LP3963ES
	LP3964ES
	LP3965ES
	LP3966ES
	LP38842S
	LP38843S

Bill of Material Example:

Used	Part Type	Designator	Footprint
====	-----	-----	-----
2	1.0uF	C1 C2	0805
1	2.2UF	C4	1206
1	470PF	C3	0603
1	LDO_TO-263-5_MIC5209BU	U1	TO-263-5
1	PIN4	P1	P2_CON4_S
1	Ra	R2	0603
1	Rb	R1	0603