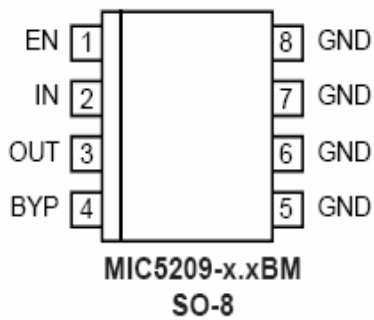


RoHS Compliant & Pb Free Product

MC1-LD01A

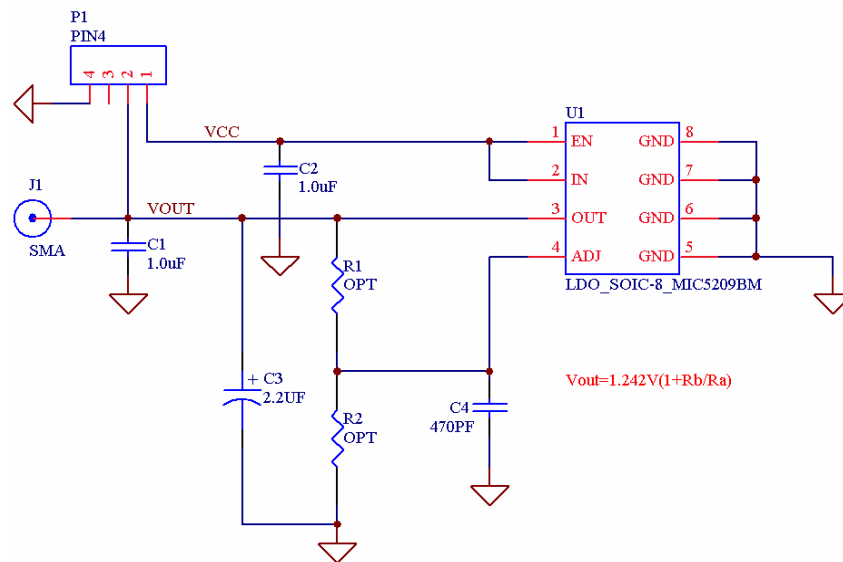
- Category: Regulators
- Device Package: SOIC-8
- Cell Size: Single (1x1)
- PCB Material/Layer Details: RO4350/2 layer with thickness 0.020"

Supported Device Package and Its Pin Allocation:



MIC5236
MIC5209
MIC5239
MIC37101
MIC37102
MIC39101
MIC39102
Etc.

Schematic:

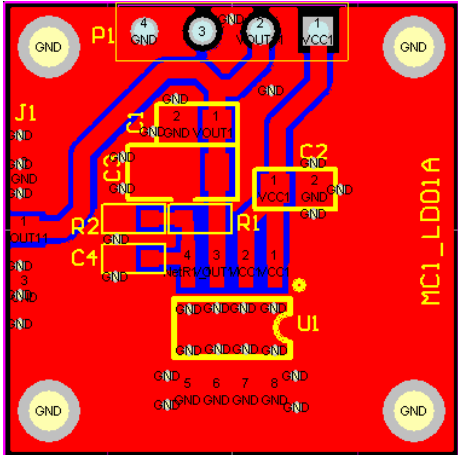


Option Table

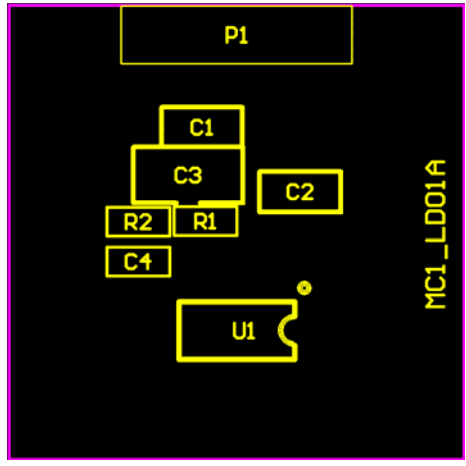
	R1	R2
Fixed Output	Neq	Neq
Adjustable Output	Ra	Rb

$V_{out}=A*(1+R_b/R_a)$
A: see datasheet

MC1-LD01A PCB Layout:



MC1-LD01A Assembly Drawing:



Minimum supported devices and its vendors:

MICREL
<p style="margin: 0;">MIC5209</p> <p style="margin: 0;">MIC5236</p> <p style="margin: 0;">MIC5239</p> <p style="margin: 0;">MIC37101</p> <p style="margin: 0;">MIC37102</p> <p style="margin: 0;">MIC39101</p> <p style="margin: 0;">MIC39102</p>

Bill of Material Example:

Used	Part Type	Designator	Footprint
2	1.0uF	C1 C2	0805
1	2.2UF	C3	1206
1	470PF	C4	0603
1	LDO_SOIC-8_MIC5209BM	U1	SOIC-8
1	PIN4	P1	P2_CON4_S
1	Ra	R1	0603
1	Rb	R2	0603