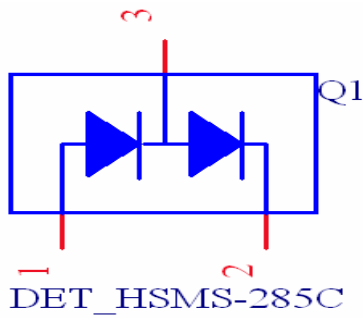


RoHS Compliant & Pb Free Product

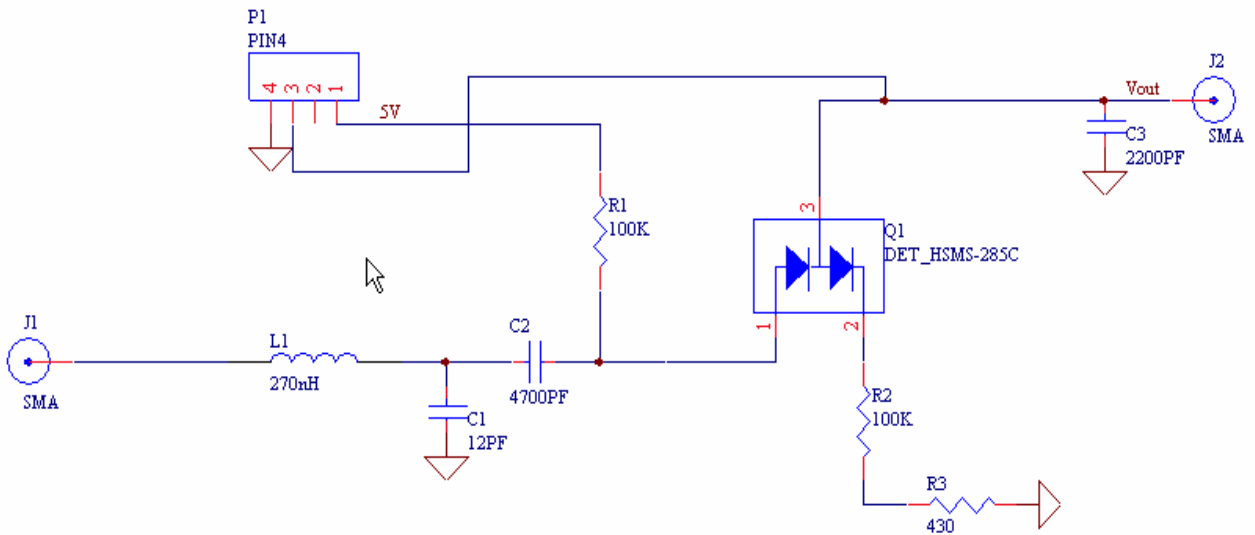
MC1-DE07A

- Category: Detector
- Device Package: SOT323 (Dual Diode Package)
- Cell Size: Single (1x1)
- PCB Material/Layer Details: RO4350/Single layer with thickness 0.020"

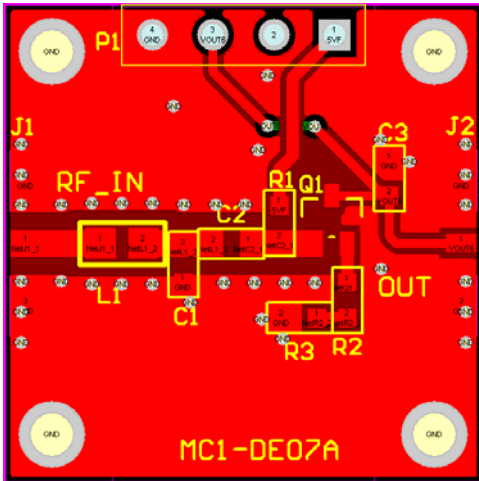
Supported Device Package and Its Pin Allocation:



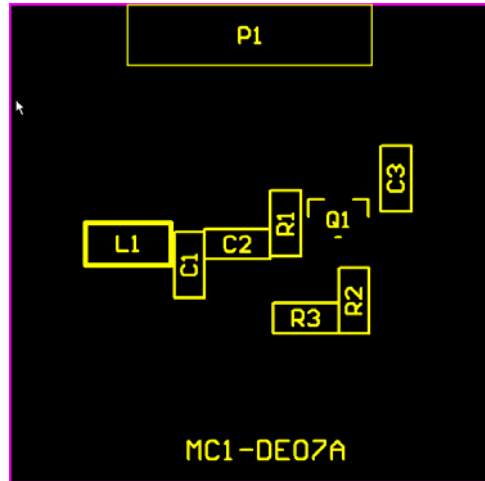
Schematic:



MC1-DE07A PCB Layout:



MC1-DE07A Assembly Drawing:



Minimum supported devices and its vendors:

Analog Device: HSMS-285C

Bill of Material Example:

Used	Part Type	Designator	Footprint
1	12PF	C1	0603
2	100K	R1 R2	0603
1	270nH	L1	0805
1	430	R3	0603
1	2200PF	C3	0603
1	4700PF	C2	0603
1	DET_HSMS-285C	Q1	SOT-323
1	PIN4	P1	P2_CON4_S