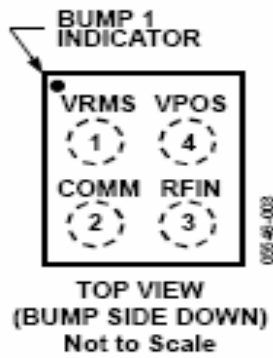


RoHS Compliant & Pb Free Product

MC1-DE06A

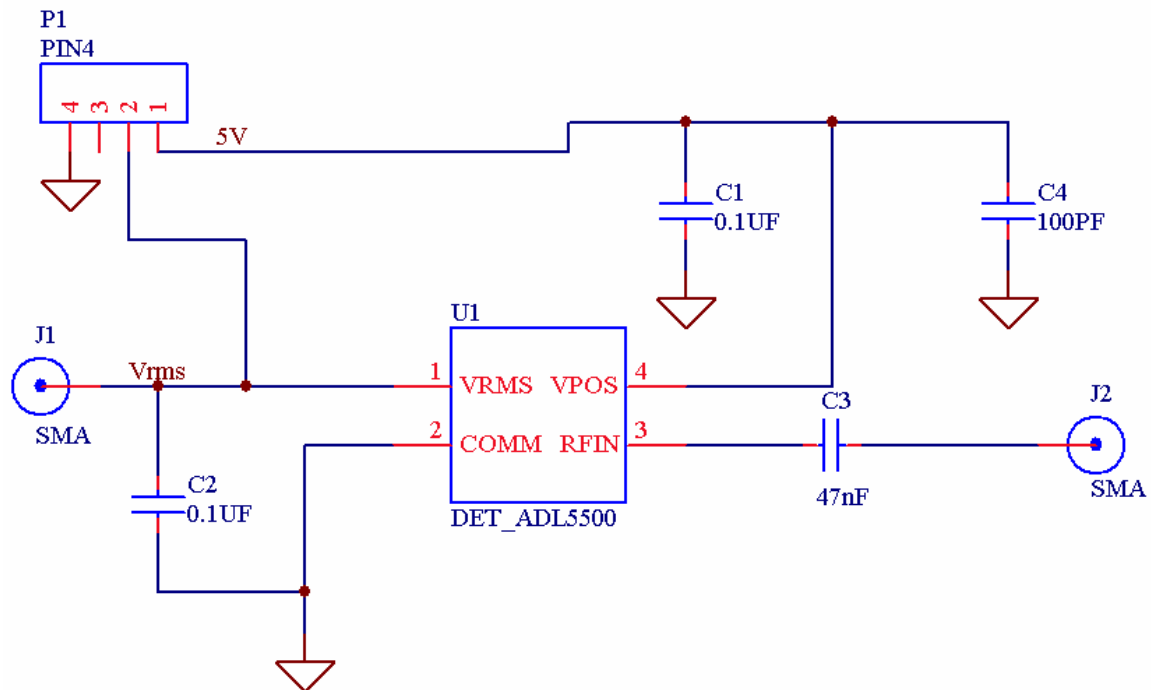
- Category: Detector
- Device Package: WLCSP-4
- Cell Size: Single (1x1)
- PCB Material/Layer Details: RO4350/Single layer with thickness 0.020"

Supported Device Package and Its Pin Allocation:

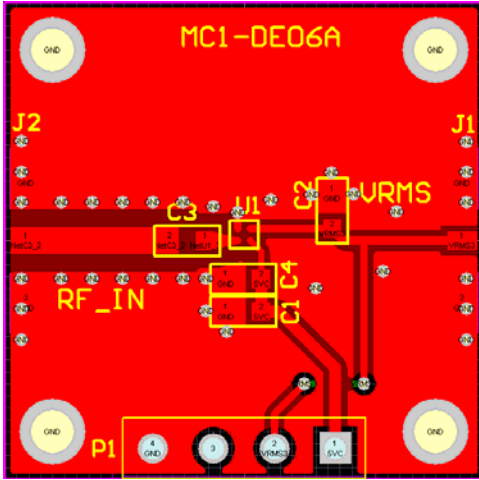


ADL5500

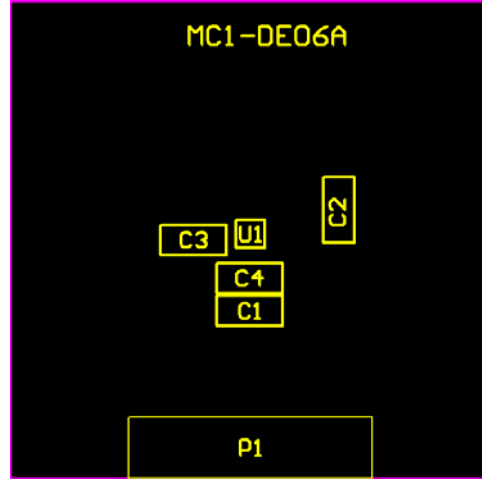
Schematic:



MC1-DE06A PCB Layout:



MC1-DE06A Assembly Drawing:



Minimum supported devices and its vendors:

Analog Device: AD8310

Bill of Material Example:

Used	Part Type	Designator	Footprint
2	0.1uF	C1 C2	0603
1	47nF	C3	0603
1	100PF	C4	0603
1	DET_ADL5500	U1	WLCSP-4
1	PIN4	P1	P2_CON4_S