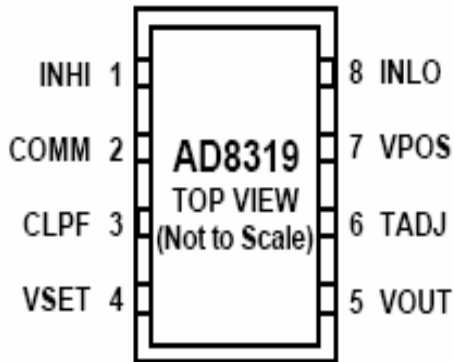


RoHS Compliant & Pb Free Product

MC1-DE05A

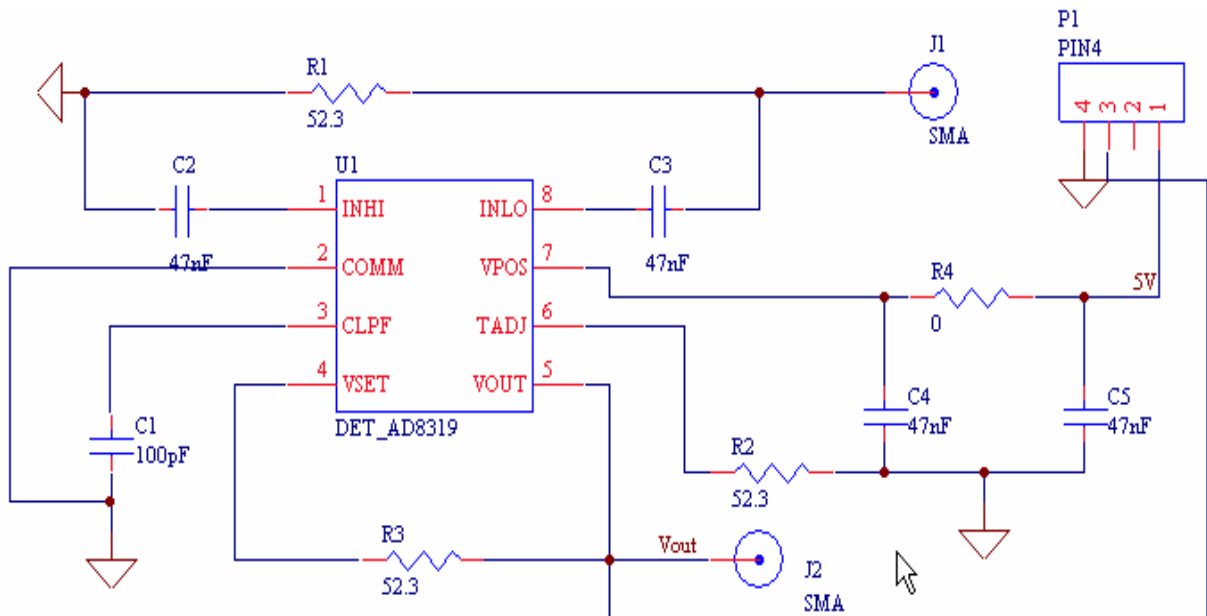
- Category: Detector
- Device Package: LFCSP-8
- Cell Size: Single (1x1)
- PCB Material/Layer Details: RO4350/Single layer with thickness 0.020"

Supported Device Package and Its Pin Allocation:

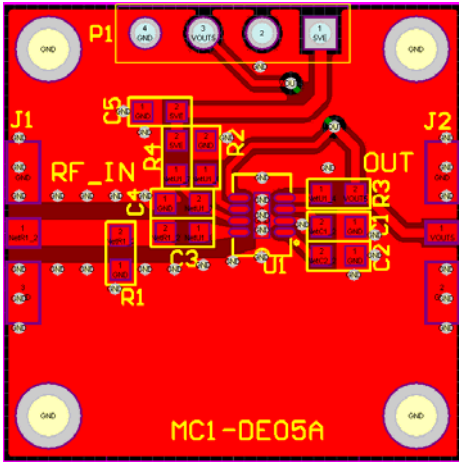


AD8319

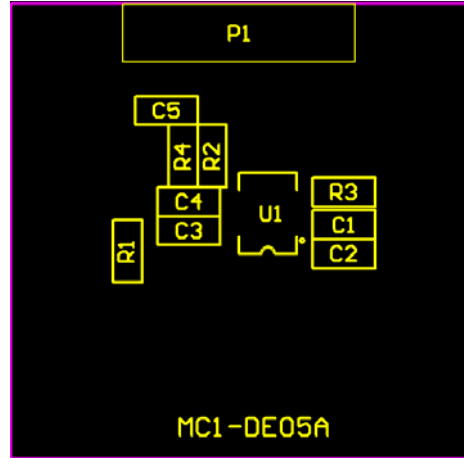
Schematic:



MC1-DE05A PCB Layout:



MC1-DE05A Assembly Drawing:



Minimum supported devices and its vendors:

Analog Device: AD8319

Bill of Material Example:

Used	Part Type	Designator	Footprint
1	0	R4	0603
4	47nF	C2 C3 C4	0603
		C5	
3	52.3	R1 R2 R3	0603
1	100pF	C1	0603
1	DET_AD8319	U1	LFCSP-8
1	PIN4	P1	P2_CON4_S