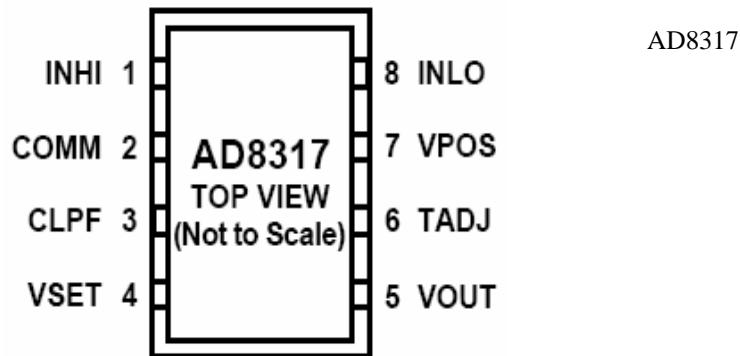


RoHS Compliant & Pb Free Product

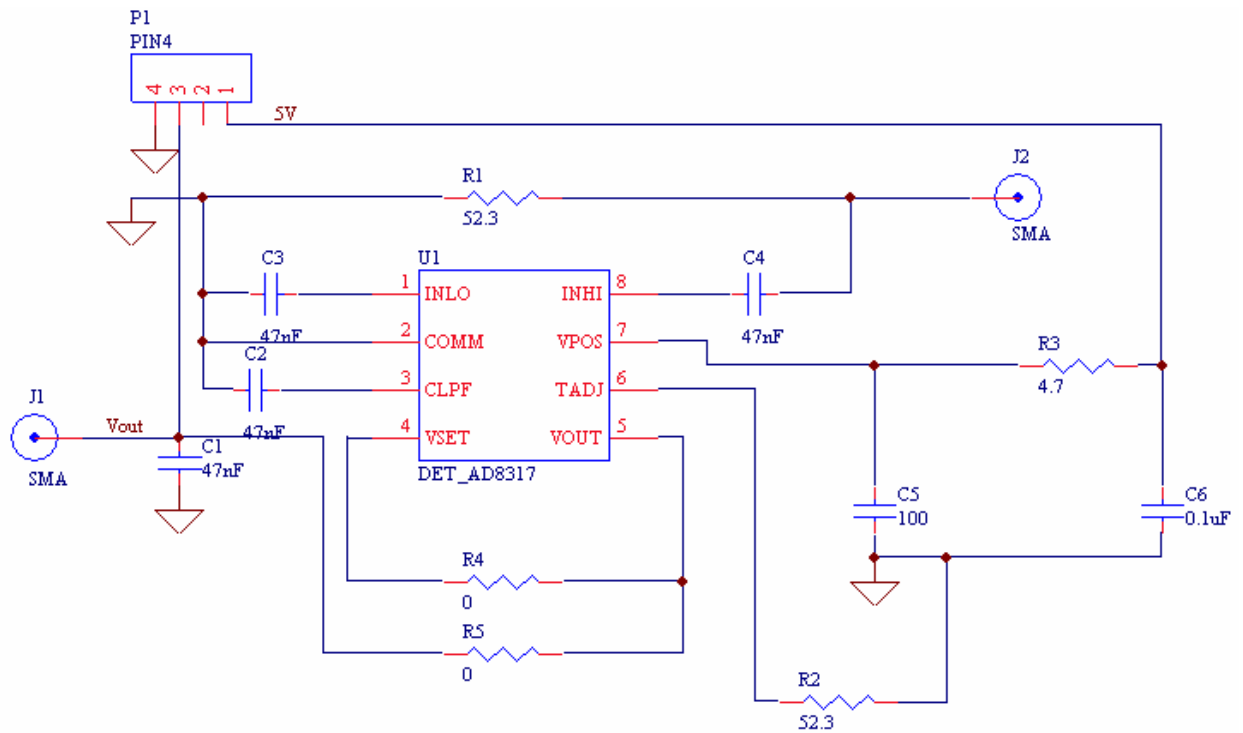
MC1-DE03A

- Category: Detector
- Device Package: LFCSP-8
- Cell Size: Single (1x1)
- PCB Material/Layer Details: RO4350/Single layer with thickness 0.020"

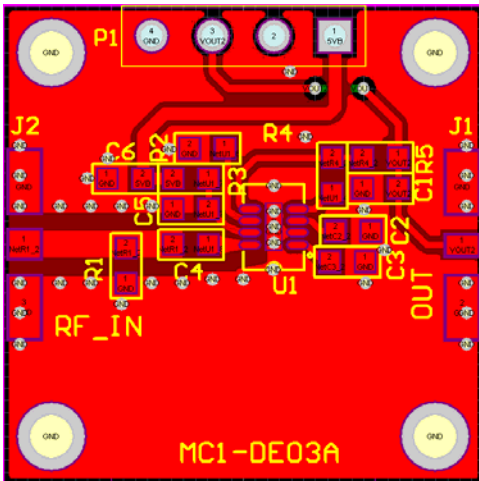
Supported Device Package and Its Pin Allocation:



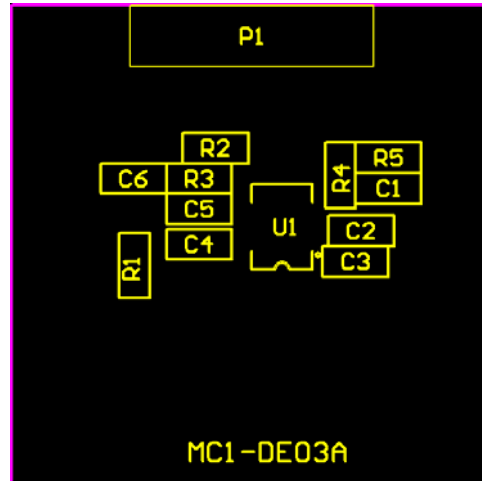
Schematic:



MC1-DE03A PCB Layout:



MC1-DE03A Assembly Drawing:



Minimum supported devices and its vendors:

Analog Device: AD8317

Bill of Material Example:

Used	Part Type	Designator	Footprint
2	0	R4 R5	0603
1	0.1uF	C6	0603
1	4.7	R3	0603
4	47nF	C1 C2 C3	0603
		C4	
2	52.3	R1 R2	0603
1	100	C5	0603
1	DET_AD8317	U1	LFCSP-8
1	PIN4	P1	P2_CON4_S