

**RoHS Compliant & Pb Free Product**

**MC1-DE02A**

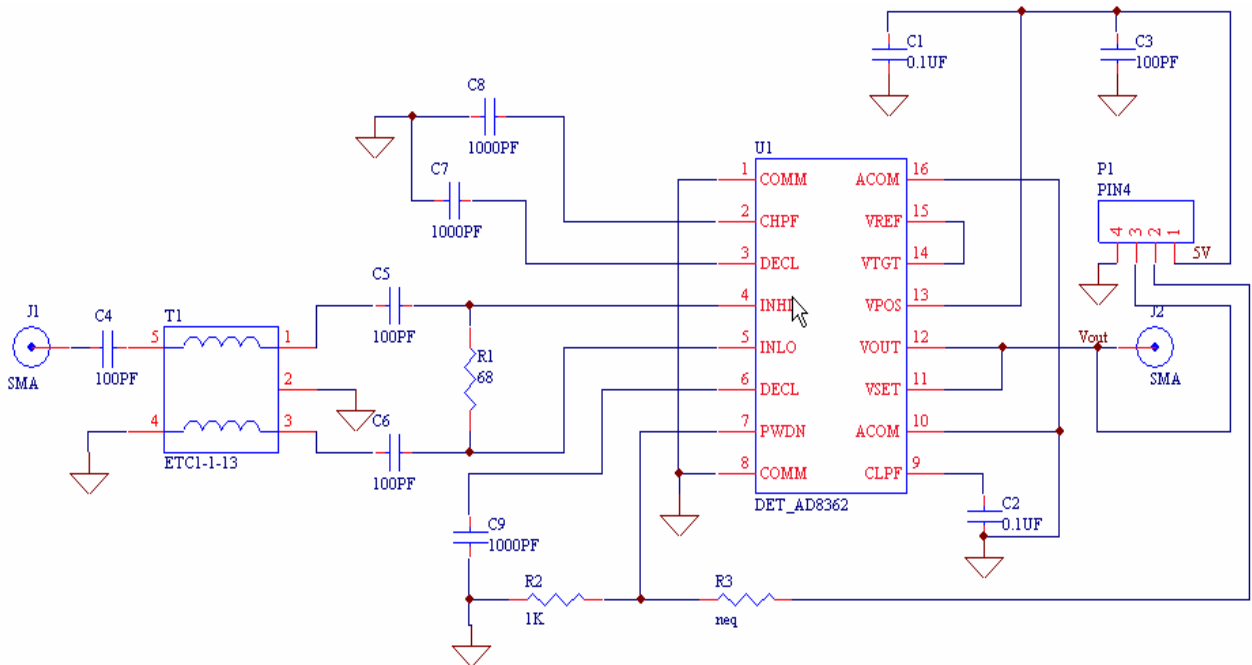
- Category: Detector
- Device Package: TSSOP-16
- Cell Size: Single (1x2)
- PCB Material/Layer Details: RO4350/Single layer with thickness 0.020"

**Supported Device Package and Its Pin Allocation:**

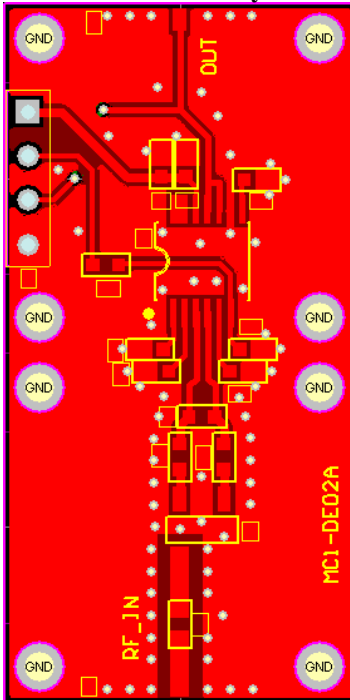


AD8362

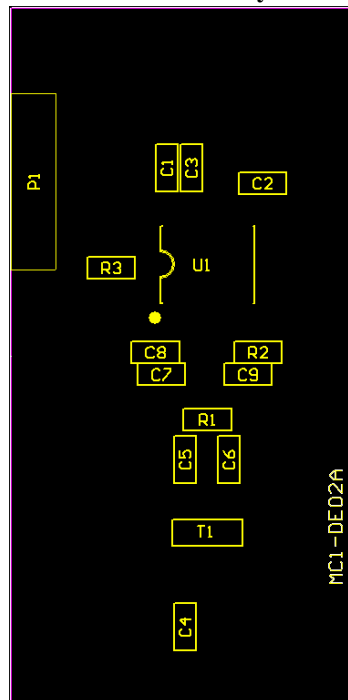
**Schematic:**



**MC1-DE02A PCB Layout:**



**MC1-DE02A Assembly Drawing:**



**Minimum supported devices and its vendors:**

Analog Device: AD8362

**Bill of Material Example:**

Used	Part Type	Designator	Footprint
2	0.1UF	C1 C2	0603
1	1K	R2	0603
1	68	R1	0603
4	100PF	C3 C4 C5 C6	0603
3	1000PF	C7 C8 C9	0603
1	DET_AD8362	U1	TSSOP-16
1	ETC1-1-13	T1	SM-22
1	PIN4	P1	P2_CON4_S
1	neq	R3	0603