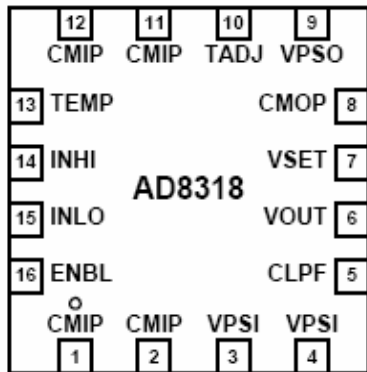


RoHS Compliant & Pb Free Product

MC1-DE01A

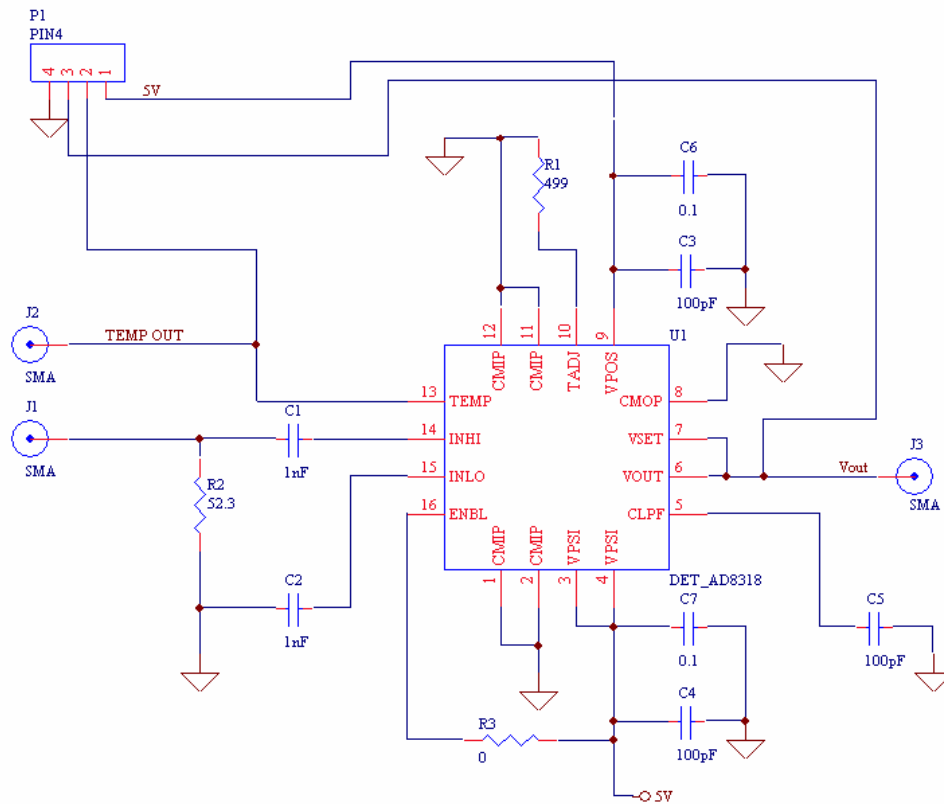
- Category: Detector
- Device Package: LFCSP-16
- Cell Size: Single (1x1)
- PCB Material/Layer Details: RO4350/Single layer with thickness 0.020"

Supported Device Package and Its Pin Allocation:

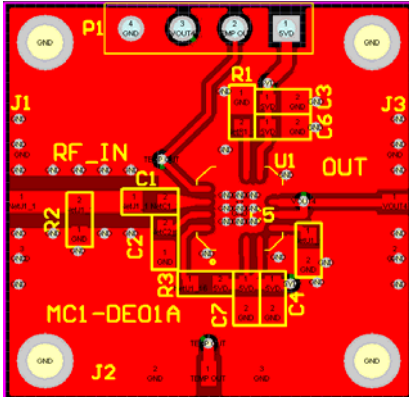


AD8318

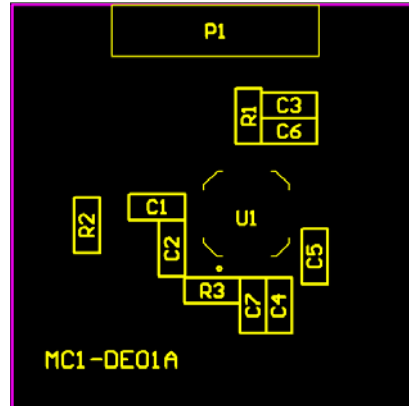
Schematic:



MC1-DE01A PCB Layout:



MC1-DE01A Assembly Drawing:



Minimum supported devices and its vendors:

Analog Device: AD8318

Bill of Material Example:

Used	Part Type	Designator	Footprint
1	0	R3	0603
2	0.1	C6 C7	0603
2	1nF	C1 C2	0603
1	52.3	R2	0603
3	100pF	C3 C4 C5	0603
1	499	R1	0603
1	DET_AD8318	U1	LFCSP-16
1	PIN4	P1	P2_CON4_S