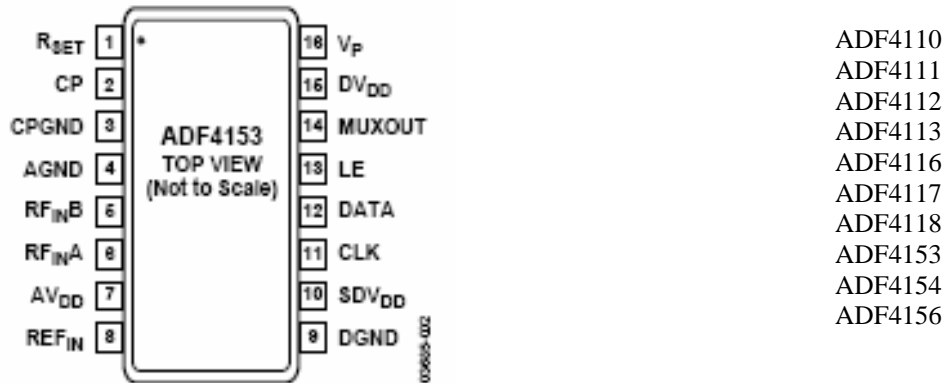


RoHS Compliant & Pb Free Product

MC1-PL01A

- Category: Phase Lock Loop (refer to MC1-AN003 under Application Examples)
- Device Packages : TSSOP-16 (Analog Device)
- Cell Size: Single (1x4)
- PCB Material/Layer Details: RO4350/4 layer with thickness 0.030"

Supported Device Package and Its Pin Allocation:



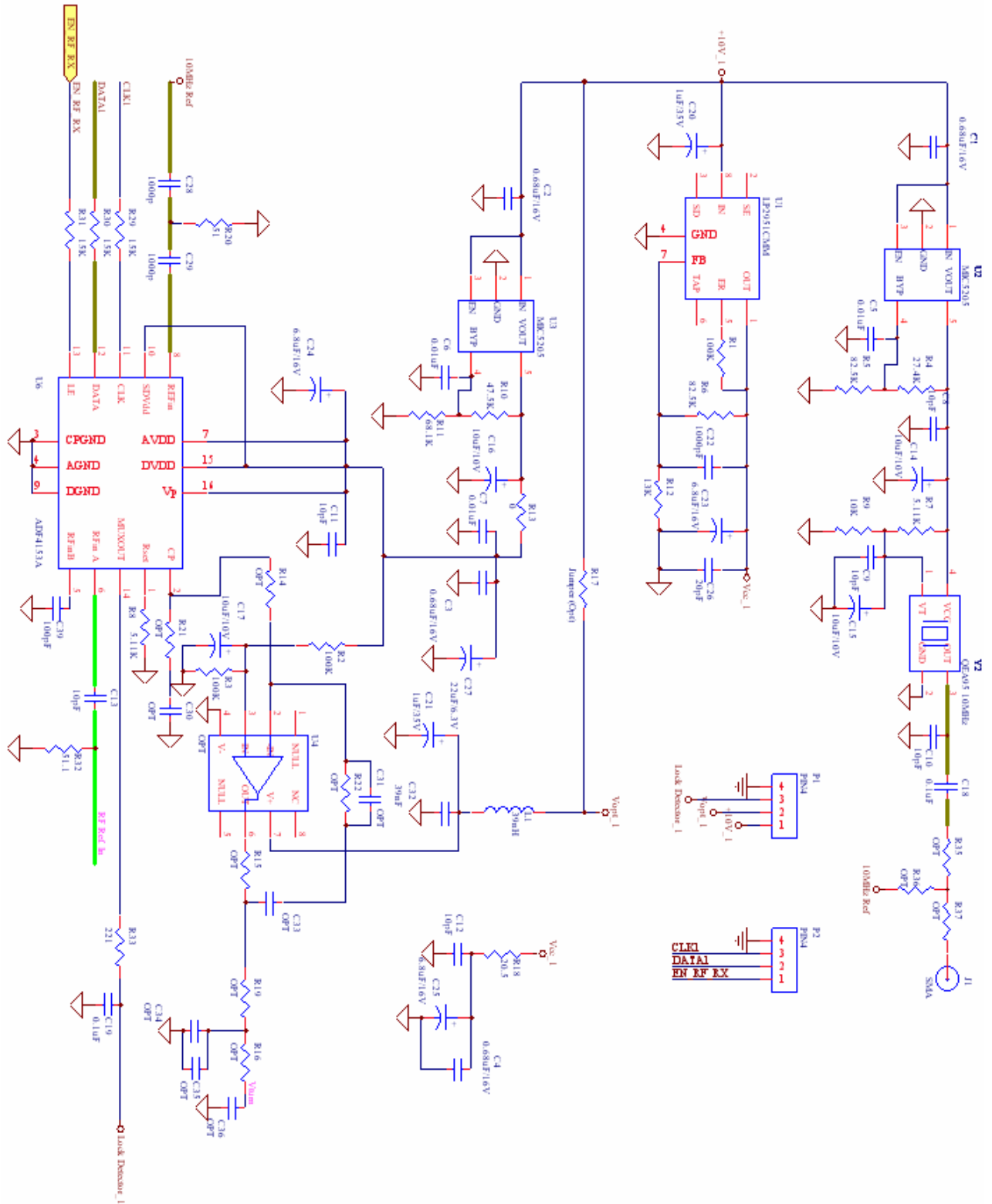
Schematic:

Option Table 1

	External Clock	Internal Clock with Output	Internal Clock without Output
R35	Neq	0	0
R36	Neq	0	0
R37	0	0	Neq

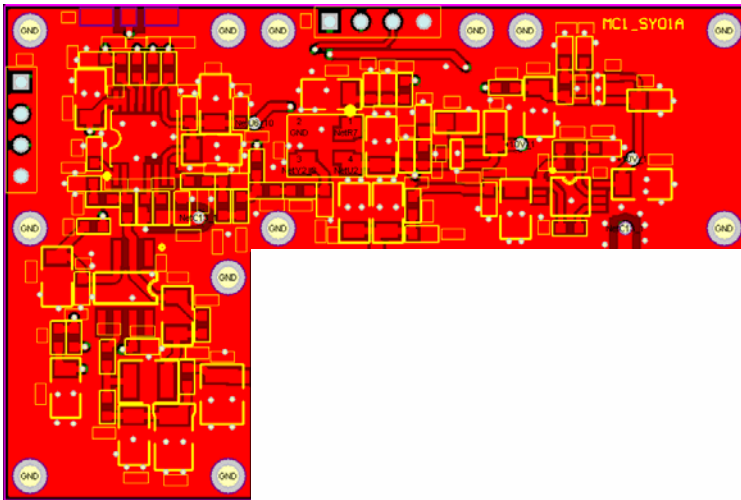
Option Table 2

	Active LP	Passive LP
R21	Neq	Calculate
C30	Neq	Calculate
R14	0	0
R22	Calculate	0
C31	Calculate	Neq
C33	Calculate	0ohm res
R15	0	Neq
R19	Calculate	0
C34	Calculate	Calculate
C35	Calculate	Calculate
R16	0	Calculate
C36	Calculate	Calculate
U4	OP184ES	Neq

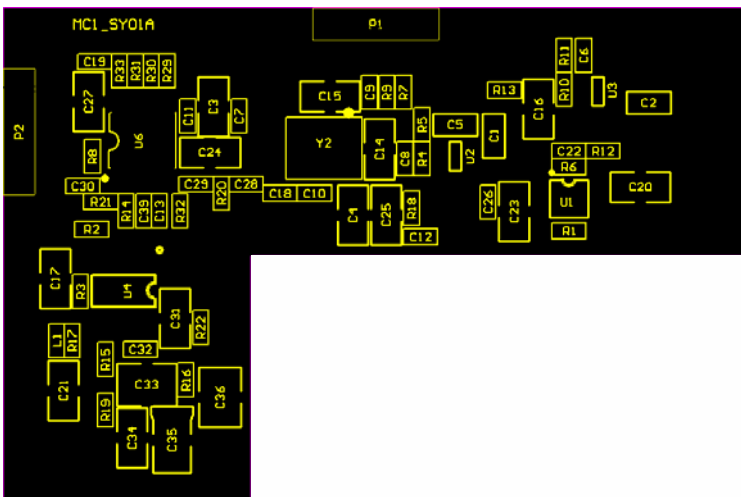




MC1-PL01A PCB Layout:



MC1-PL01A Assembly Drawing:



Minimum supported devices and its vendors:

PLL Vander
Analog Device

- ADF4110
- ADF4111
- ADF4112
- ADF4113
- ADF4116
- ADF4117
- ADF4118
- ADF4153
- ADF4154
- ADF4156

Bill of Material Example:

Used	Part Type	Designator	Footprint
1	0	R13	0603
2	0.1uF	C18 C19	0603
2	0.01uF	C6 C7	0603
1	0.01uF	C5	0805
2	0.68uF/16V	C1 C2	0805
2	0.68uF/16V	C3 C4	1206
2	1uF/35V	C20 C21	1206
2	5.11K	R7 R8	0603
3	6.8uF/16V	C23 C24	1206
		C25	
1	10K	R9	0603
6	10pF	C8 C9 C10	0603
		C11 C12	
		C13	
4	10uF/10V	C14 C15	1206
		C16 C17	
1	13K	R12	0603
3	15K	R29 R30	0603
		R31	
1	20.5	R18	0603
1	20pF	C26	0603
1	22uF/6.3V	C27	1206
1	27.4K	R4	0603
1	39nF	C32	0603
1	39nH	L1	0603
1	47.5K	R10	0603
1	51	R20	0603
1	51.1	R32	0603
1	68.1K	R11	0603
2	82.5K	R5 R6	0603
3	100K	R1 R2 R3	0603
1	100pF	C39	0603
1	221	R33	0603
2	1000p	C28 C29	0603
1	1000pF	C22	0603
1	ADF4153A	U6	TSSOP-16
1	Jumper (Opt)	R17	0603
1	LP2951CMM	U1	MUA08A
2	MIC5205	U2 U3	SOT-23-5
10	OPT	C30 R14	0603
		R15 R16	
		R19 R21	
		R22 R35	
		R36 R37	
2	OPT	C31 C34	1206
2	OPT	C33 C36	1210
1	OPT	C35	3528
1	OPT	U4	SOIC-8
2	PIN4	P1 P2	P2_CON4_S
1	QEA95 10MHz	Y2	TCX03X5