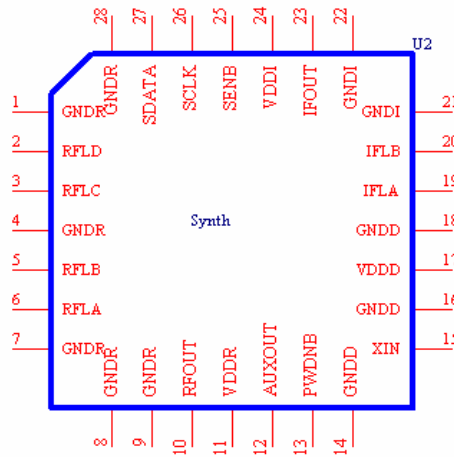
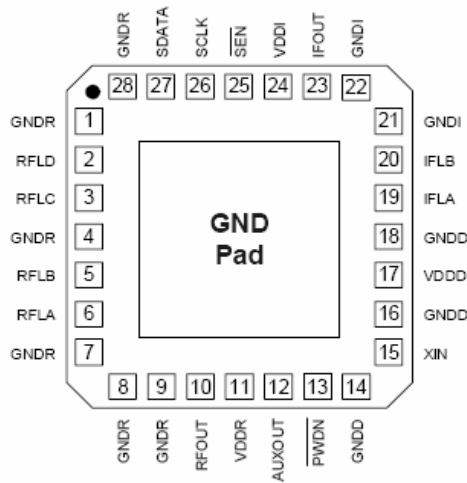


RoHS Compliant & Pb Free Product

MC1-SY07A

- Category: Synthesizer (detail refer to MC1-AN003 under Application Examples)
- Device Packages : TSSOP-24 (Silicon Laboratories)
- Cell Size: Single (1x2)
- PCB Material/Layer Details: RO4350/4 layer with thickness 0.030”
- Software: Please download directly from Silicon Laboratories Web Site: www.silabs.com

Supported Device Package and Its Pin Allocation:

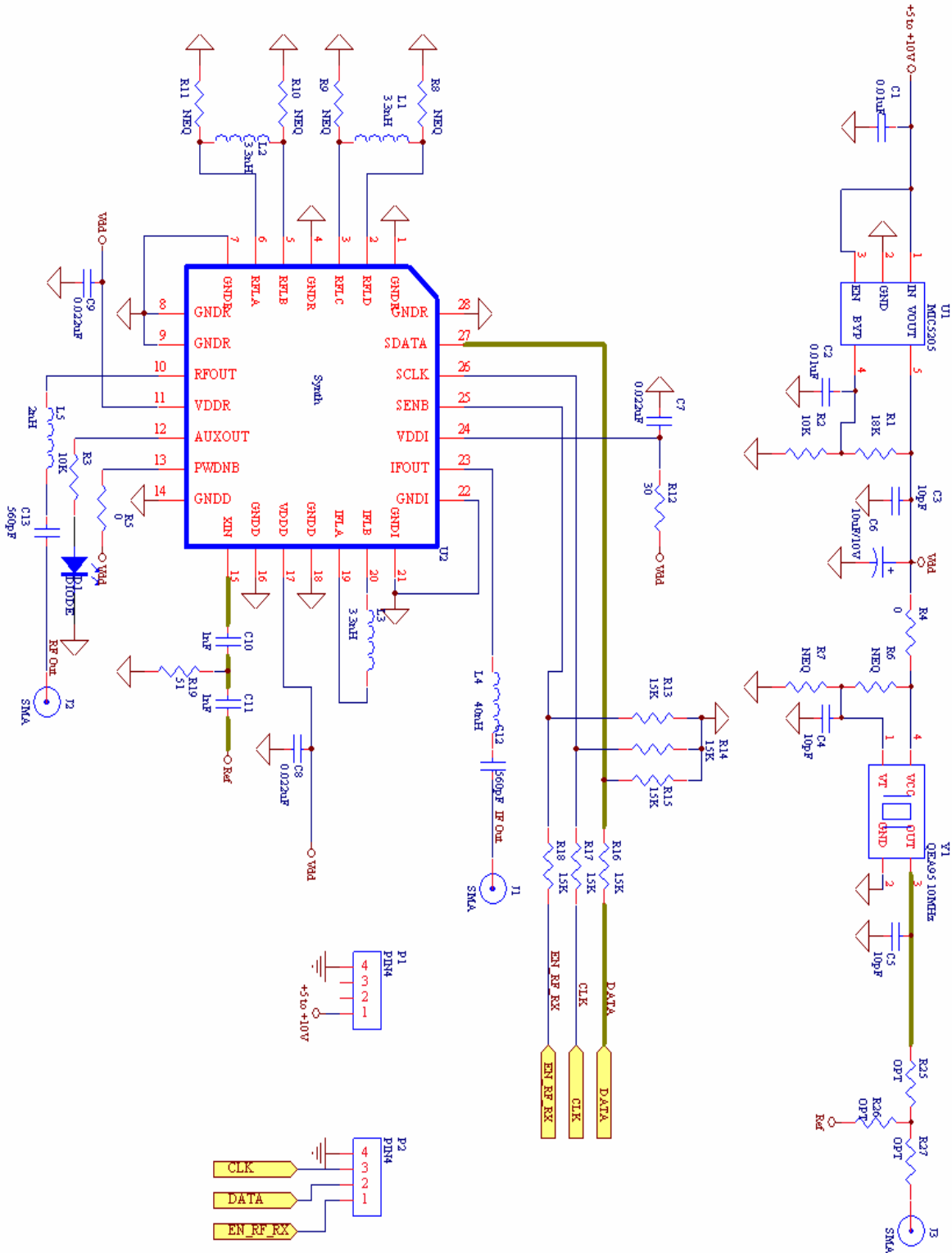


- Si4123
- Si4122
- Si4113
- Si4112
- Si4136
- Si4126

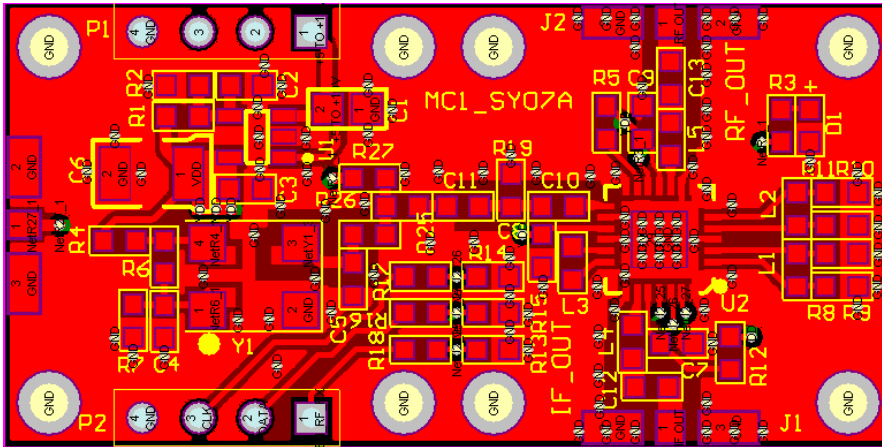
Schematics

Option Table

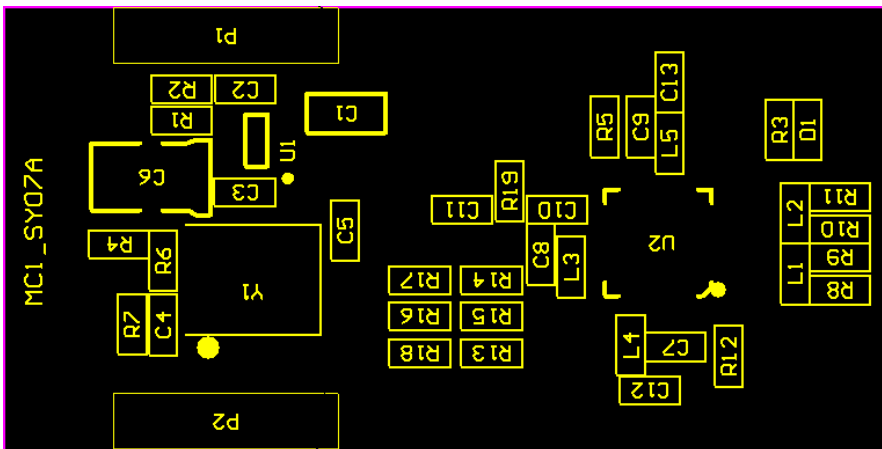
	External Clock	Internal Clock with Output	Internal Clock without Output
R25	Neq	0	0
R26	Neq	0	0
R27	0	0	Neq



MC1-SY07A PCB Layout:



MC1-SY07A Assembly Drawing:



Minimum supported devices and its vendors:

Silicon Lab
Si4133
Si4123
Si4122
Si4113
Si4112
Si4126
Si4136

Bill of Material Example:

Used	Part Type	Designator	Footprint
2	0	R4 R5	0603
1	0.01uF	C2	0603
1	0.01uF	C1	0805
3	0.022uF	C7 C8 C9	0603
2	1nF	C10 C11	0603
1	2nH	L5	0603
3	3.3nH	L1 L2 L3	0603
2	10K	R2 R3	0603
3	10pF	C3 C4 C5	0603
1	10uF/10V	C6	3528
6	15K	R13 R14	0603
		R15 R16	
		R17 R18	
1	18K	R1	0603
1	30	R12	0603
1	40nH	L4	0603
1	51	R19	0603
2	560pF	C12 C13	0603
1	DIODE	D1	LED_0603
1	MIC5205	U1	SOT-23-5
6	NEQ	R6 R7 R8	0603
		R9 R10 R11	
3	OPT	R25 R26	0603
		R27	
2	PIN4	P1 P2	P2_CON4_S
1	QEA95 10MHz	Y1	TCXO3X5
3	SMA	J1 J2 J3	P2_RF_43
1	Synth	U2	MLP-28

Mis. Active Parts:

Parts	Functions	Suggested #	Suggested Vendor
D1	LED Diode	160-1443-2-ND	www.digikey.com
MIC5205	Regulator	MIC5205	www.micrel.com
QEA95	Freq. Reference	TSX-3225 series	www.epsontoyocom.co.jp