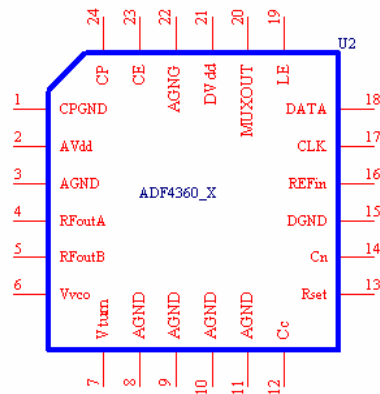
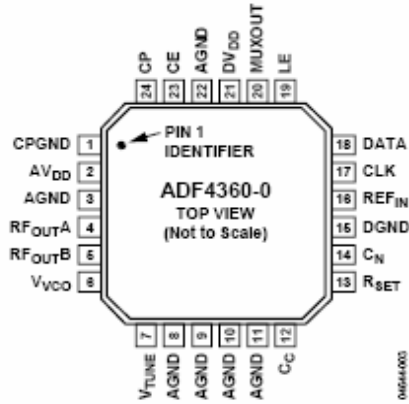


RoHS Compliant & Pb Free Product

MC1-SY06A

- Category: Synthesizer (detail refer to MC1-AN003 under Application Examples)
- Device Packages : TSSOP-24 (Analog Device)
- Cell Size: Single (1x2)
- PCB Material/Layer Details: RO4350/4 layer with thickness 0.030”
- Software: Please download directly from Analog Device Web Site: www.analog.com

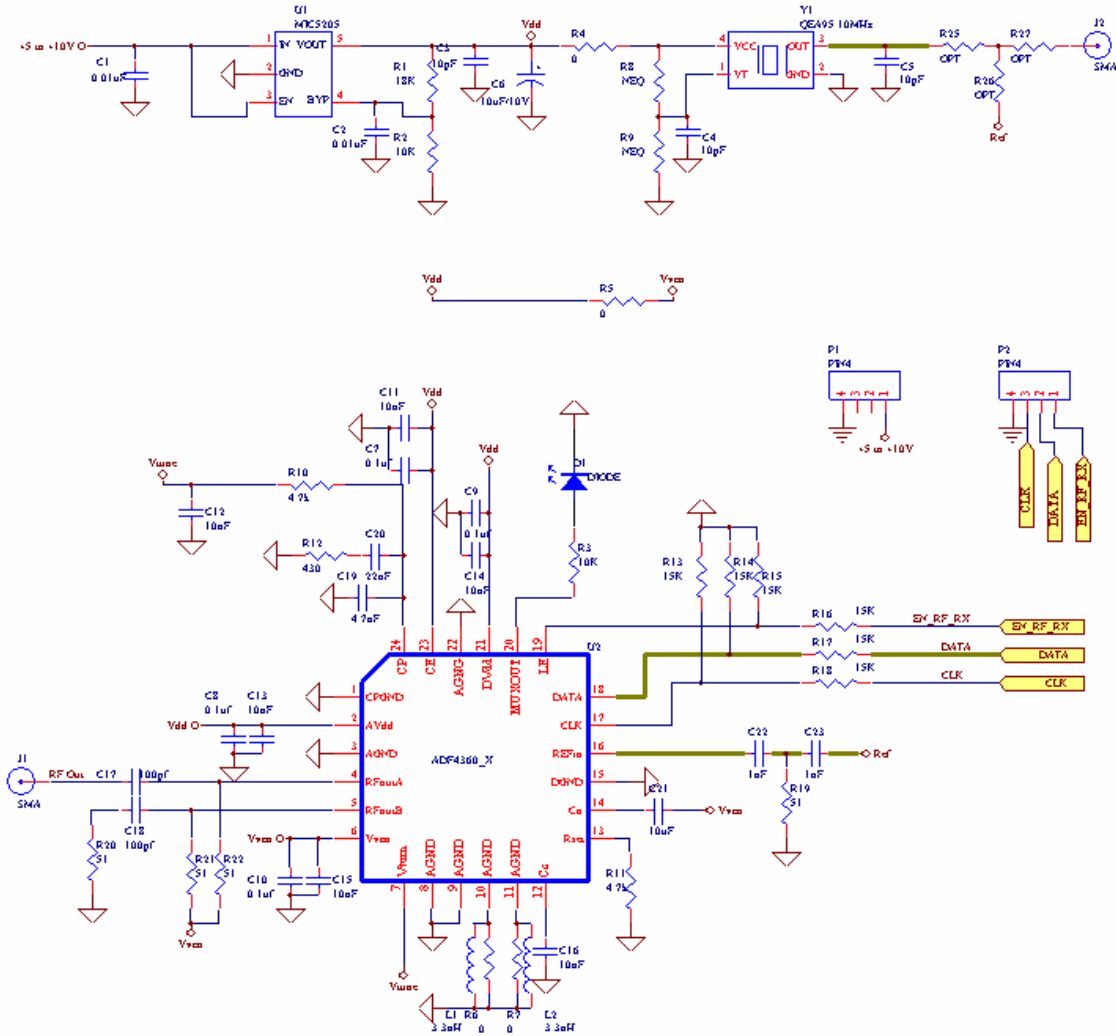
Supported Device Package and Its Pin Allocation:



- ADF4360-0
- ADF4360-1
- ADF4360-2
- ADF4360-3
- ADF4360-4
- ADF4360-5
- ADF4360-6
- ADF4360-7
- ADF4360-8

Schematics

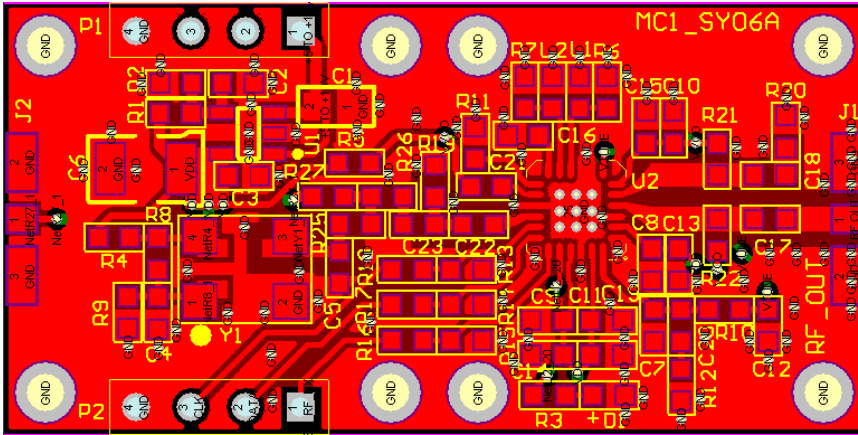
MC1-SY06A
Test Board for Analog Device's Synthesizer



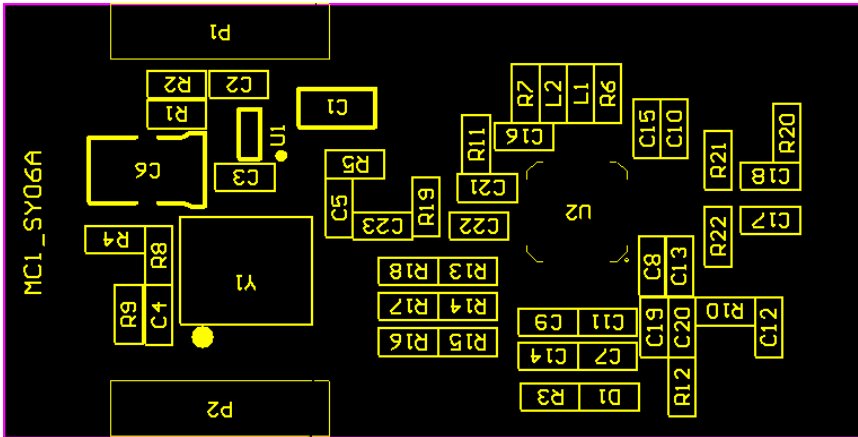
Option Table

	External Clock	Internal Clock with Output	Internal Clock without Output
R25	Neq	0	0
R26	Neq	0	0
R27	0	0	Neq

MC1-SY06A PCB Layout:



MC1-SY06A Assembly Drawing:



Minimum supported devices and its vendors:

Analog Divices
ADF4360-0
ADF4360-1
ADF4360-2
ADF4360-3
ADF4360-4
ADF4360-5
ADF4360-6
ADF4360-7
ADF4360-8

Bill of Material Example:

Used	Part Type	Designator	Footprint
4	0	R4 R5 R6	0603
		R7	
1	0.01uF	C2	0603
1	0.01uF	C1	0805
4	0.1uf	C7 C8 C9	0603
		C10	
2	1nF	C22 C23	0603
2	3.3nH	L1 L2	0603
2	4.7k	R10 R11	0603
1	4.7nF	C19	0603
2	10K	R2 R3	0603
6	10nF	C11 C12	0603
		C13 C14	
		C15 C16	
3	10pF	C3 C4 C5	0603
1	10uF	C21	0603
1	10uF/10V	C6	3528
6	15K	R13 R14	0603
		R15 R16	
		R17 R18	
1	18K	R1	0603
1	22nF	C20	0603
4	51	R19 R20	0603
		R21 R22	
2	100pf	C17 C18	0603
1	430	R12	0603
1	ADF4360_X	U2	CP-24-2
1	DIODE	D1	LED_0603
1	MIC5205	U1	SOT-23-5
2	NEQ	R8 R9	0603
3	OPT	R25 R26	0603
		R27	
2	PIN4	P1 P2	P2_CON4_S
1	QEA95 10MHz	Y1	TCXO3X5

Mis. Active Parts:

Parts	Functions	Suggested #	Suggested Vendor
D1	LED Diode	160-1443-2-ND	www.digikey.com
MIC5205	Regulator	MIC5205	www.micrel.com
QEA95	Freq. Reference	TSX-3225 series	www.epsontoyocom.co.jp