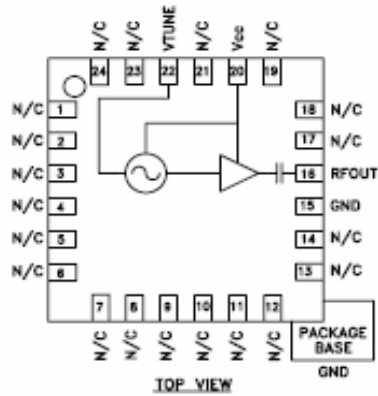


RoHS Compliant & Pb Free Product

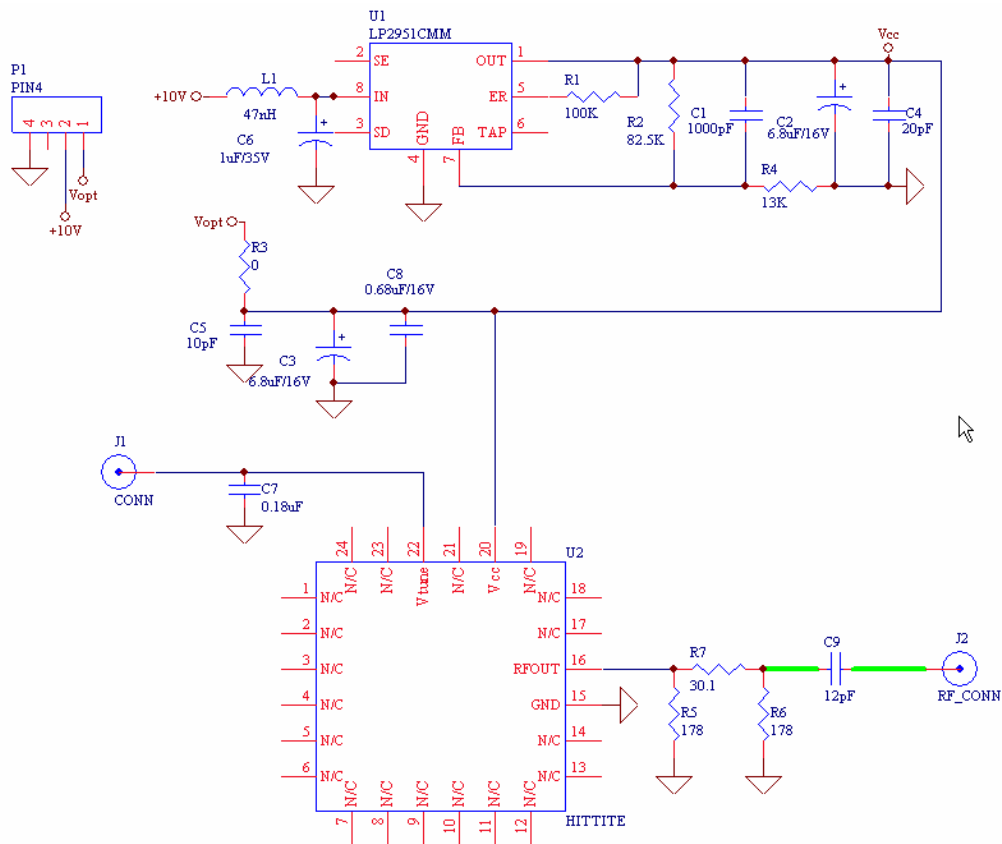
MC1-VC01A

- Category: VCO (detail refer to MC1-AN003 under Application Examples)
- Device Packages : LP4 (Hittite)
- Cell Size: Single (1x2)
- PCB Material/Layer Details: RO4350/4 layer with thickness 0.030"

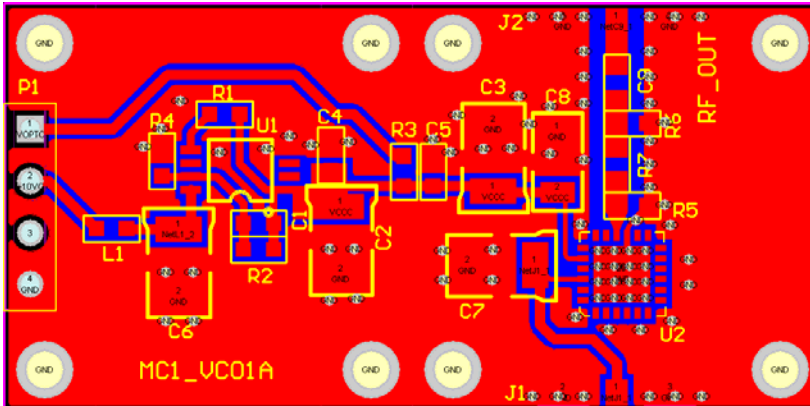
Supported Device Package and Its Pin Allocation:



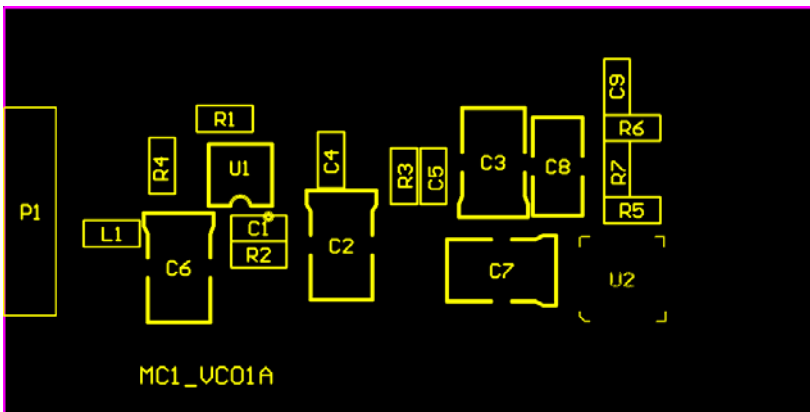
Schematic:



MC1-VC01A PCB Layout:



MC1-VC01A Assembly Drawing:



Minimum supported devices and its vendors:

Hittite
HMC384LP4
HMC385LP4
HMC386LP4
HMC388LP4
HMC389LP4
HMC390LP4
HMC391LP4
HMC416LP4
HMC429LP4
HMC430LP4
HMC431LP4
HMC466LP4
HMC505LP4
HMC506LP4
HMC532LP4

Bill of Material Example:

Used	Part Type	Designator	Footprint
====	=====	=====	=====
1	0	R3	0603
1	0.18uF	C7	3528
1	0.68uF/16V	C8	1206
1	1uF/35V	C6	3528
2	6.8uF/16V	C2 C3	3528
1	10pF	C5	0603
1	12pF	C9	0603
1	13K	R4	0603
1	20pF	C4	0603
1	30.1	R7	0603
1	47nH	L1	0603
1	82.5K	R2	0603
1	100K	R1	0603
2	178	R5 R6	0603
1	1000pF	C1	0603
1	HITTITE	U2	LP4
1	LP2951CMM	U1	MUA08A
1	PIN4	P1	P2_CON4_S