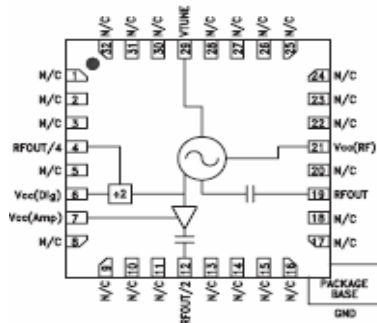


**RoHS Compliant & Pb Free Product**

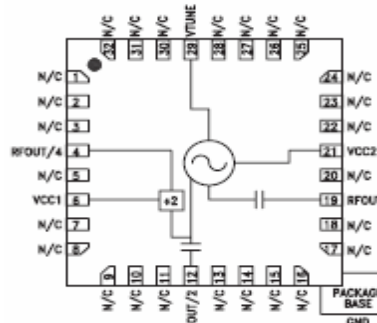
**MC1-VC04A**

- Category: VCO (detail refer to MC1-AN003 under Application Examples)
- Device Packages : LP5 (Hittite)
- Cell Size: Single (1x2)
- PCB Material/Layer Details: RO4350/4 layer with thickness 0.030”

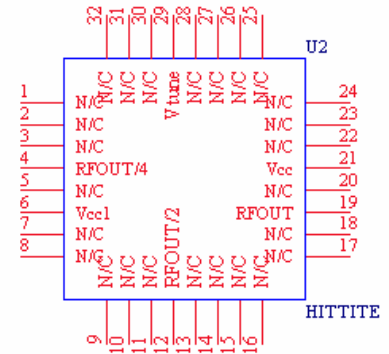
**Supported Device Package and Its Pin Allocation:**



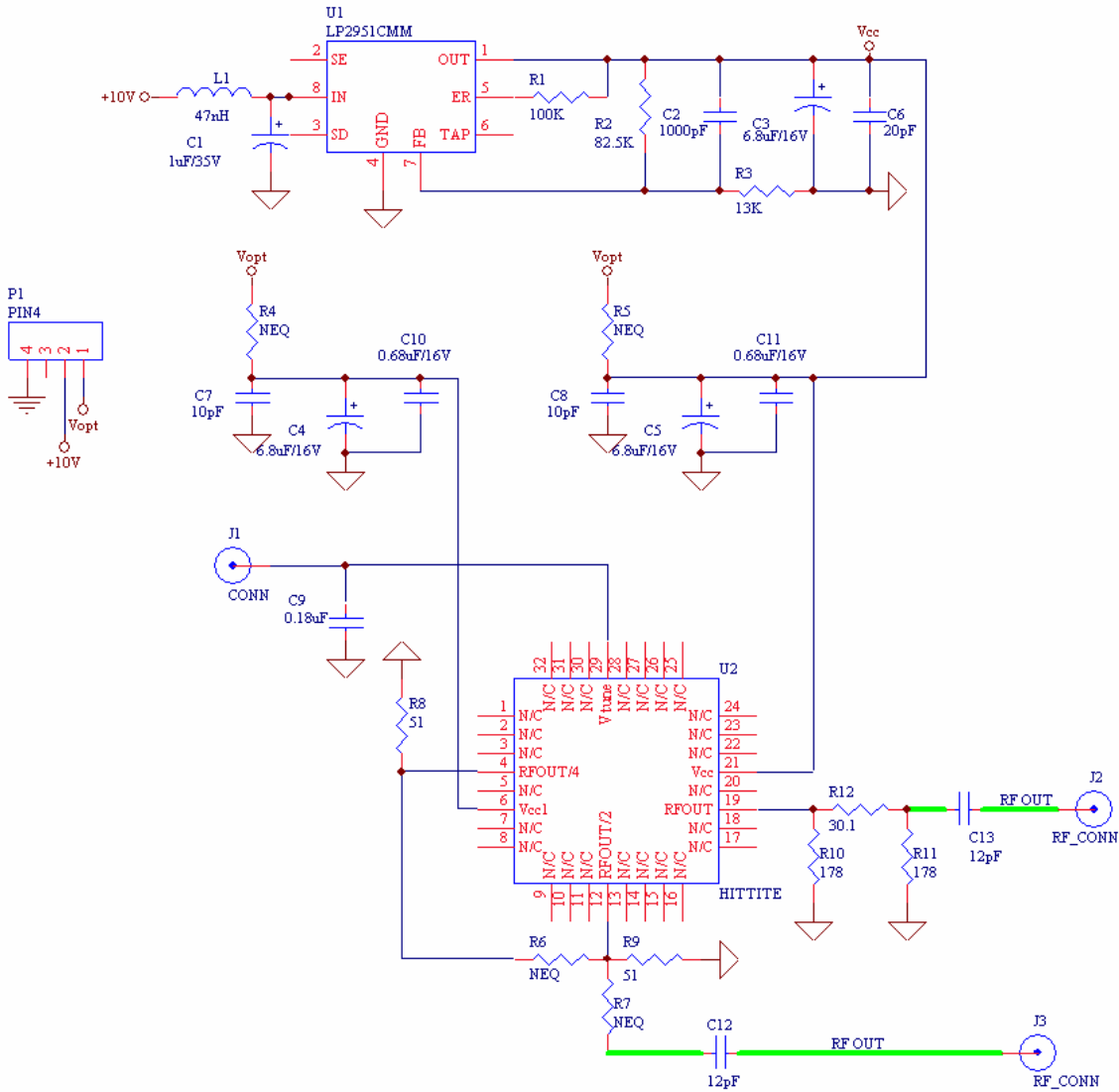
HMC510LP5	HMC583LP5
HMC534LP5	HMC584LP5



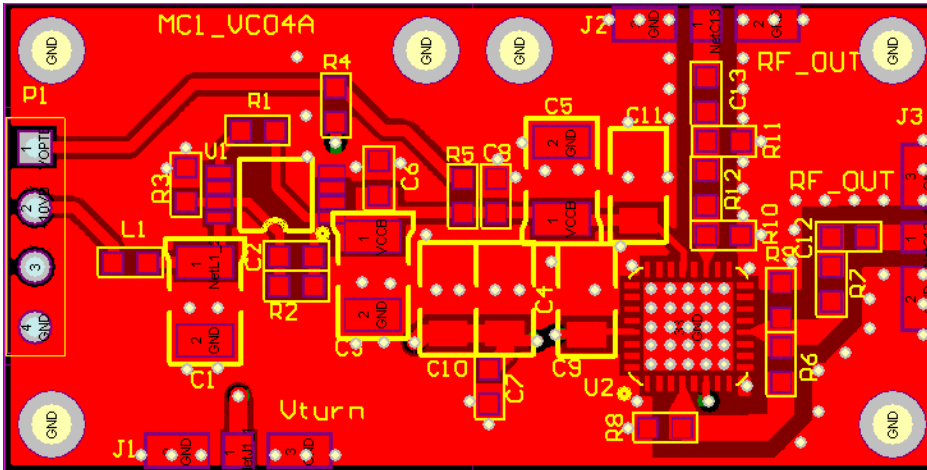
HMC513LP5	HMC529LP5
HMC514LP5	HMC515LP5



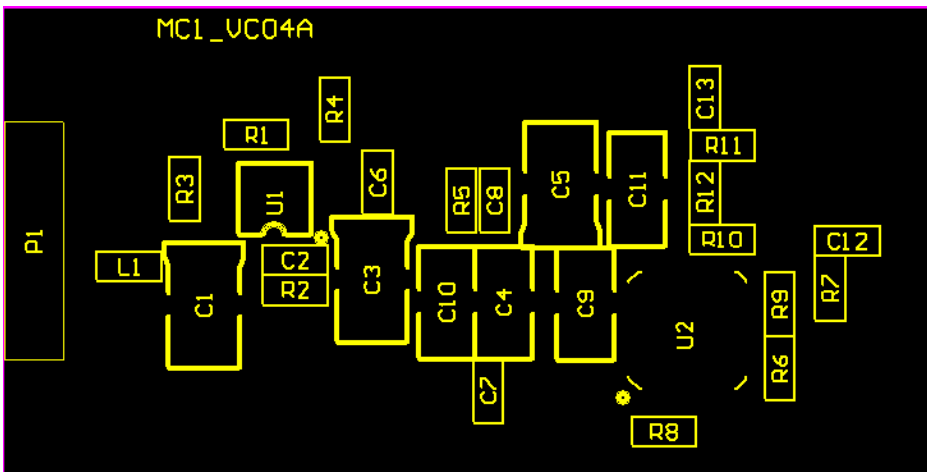
**Schematic:**



**MC1-VC04A PCB Layout:**



**MC1-VC04A Assembly Drawing:**



**Minimum supported devices and its vendors:**

Hittite
HMC510LP5
HMC513LP5
HMC514LP5
HMC515LP5
HMC529LP5
HMC534LP5
HMC583LP5
HMC584LP5

**Bill of Material Example:**

Used	Part Type	Designator	Footprint
1	0.18uF	C9	1206
2	0.68uF/16V	C10 C11	1206
1	1uF/35V	C1	3528
1	6.8uF/16V	C4	1206
2	6.8uF/16V	C3 C5	3528
2	10pF	C7 C8	0603
2	12pF	C12 C13	0603
1	13K	R3	0603
1	20pF	C6	0603
1	30.1	R12	0603
1	47nH	L1	0603
2	51	R8 R9	0603
1	82.5K	R2	0603
1	100K	R1	0603
2	178	R10 R11	0603
1	1000pF	C2	0603
1	HITTITE	U2	LP5
1	LP2951CMM	U1	MUA08A
4	NEQ	R4 R5 R6	0603
		R7	
1	PIN4	P1	P2_CON4_S