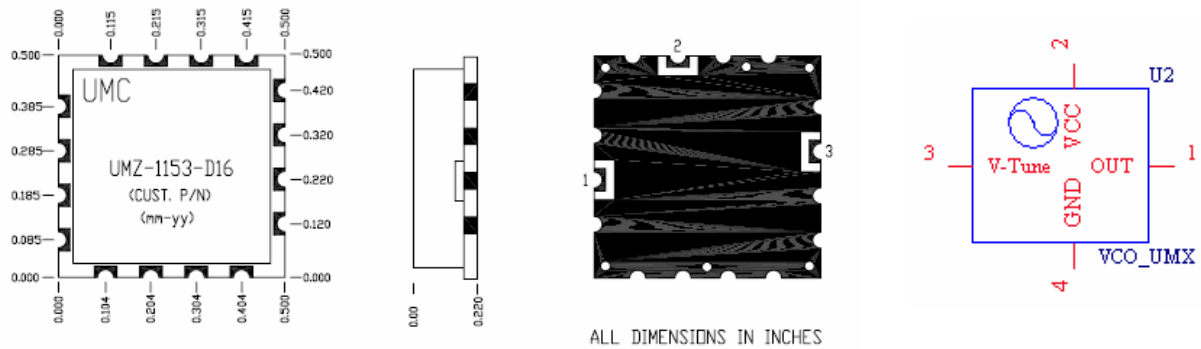


**RoHS Compliant & Pb Free Product**

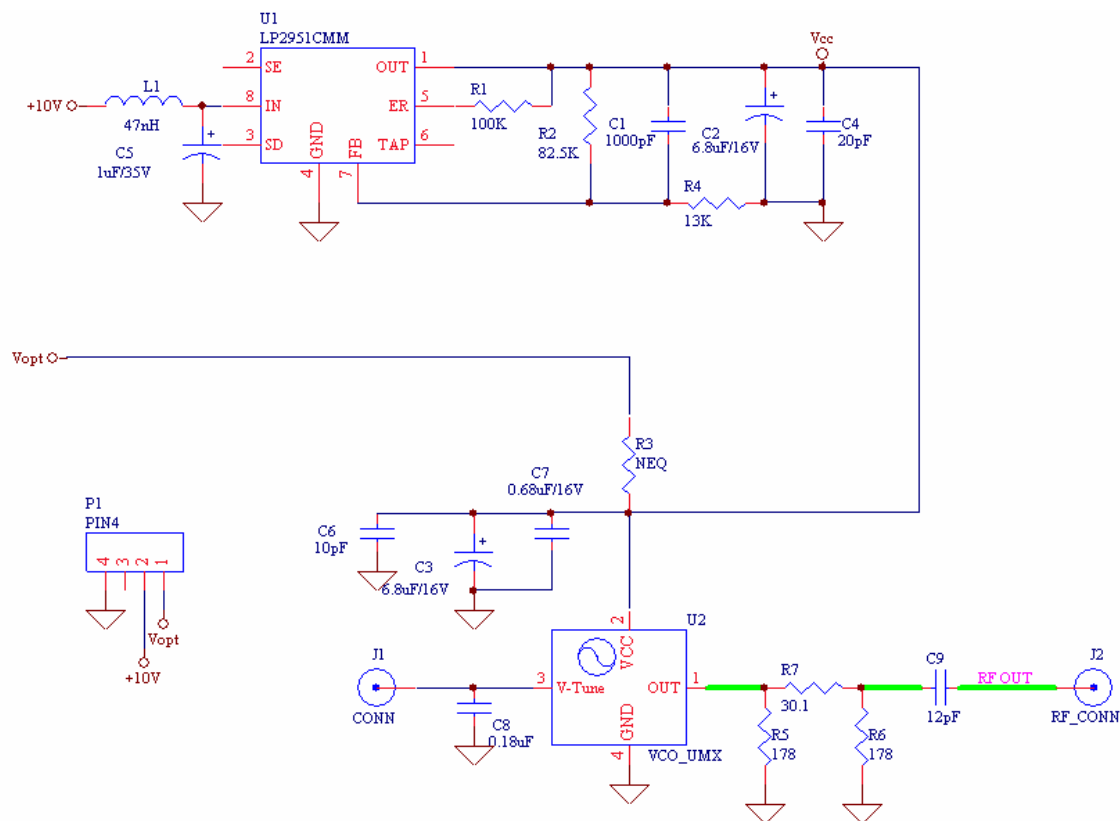
**MC1-VC02A**

- Category: VCO (detail refer to MC1-AN003 under Application Examples)
- Device Packages : 5x5mm<sup>2</sup>, Mini-14s, Mini-16
- Cell Size: Single (1x2)
- PCB Material/Layer Details: RO4350/4 layer with thickness 0.030"

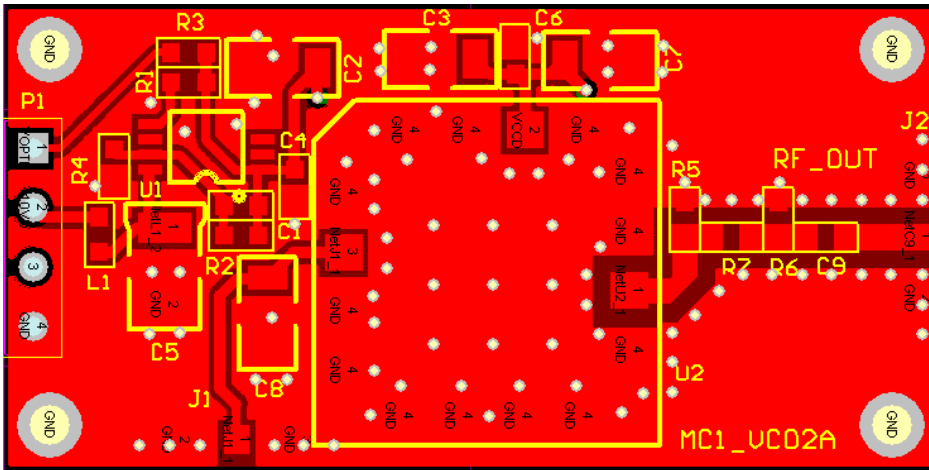
**Supported Device Package and Its Pin Allocation:**



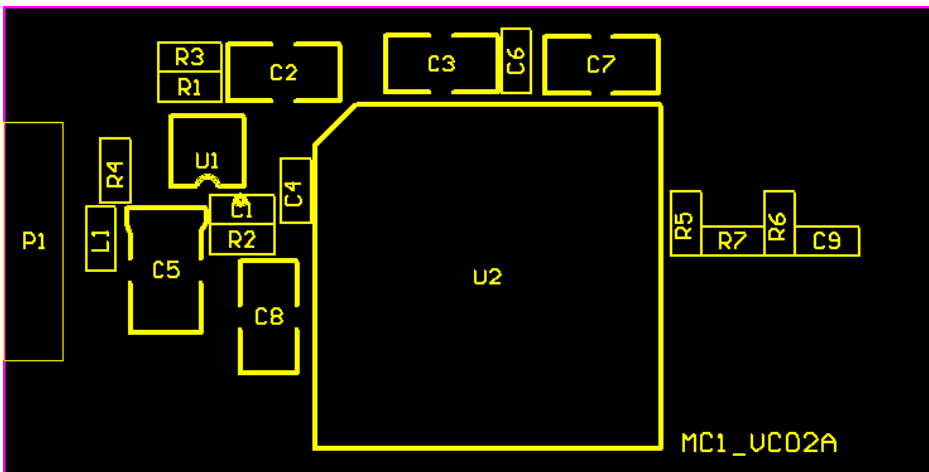
**Schematic:**



**MC1-VC02A PCB Layout:**



**MC1-VC02A Assembly Drawing:**



**Minimum supported devices and its vendors:**

UMS ZCOM M/A-COM
Any 0.5X0.5

**Bill of Material Example:**

Used	Part Type	Designator	Footprint
====	=====	=====	=====
1	0.18uF	C8	1206
1	0.68uF/16V	C7	1206
1	1uF/35V	C5	3528
2	6.8uF/16V	C2 C3	1206
1	10pF	C6	0603
1	12pF	C9	0603
1	13K	R4	0603
1	20pF	C4	0603
1	30.1	R7	0603
1	47nH	L1	0603
1	82.5K	R2	0603
1	100K	R1	0603
2	178	R5 R6	0603
1	1000pF	C1	0603
1	LP2951CMM	U1	MUA08A
1	NEQ	R3	0603
1	PIN4	P1	P2_CON4_S
1	VCO_UMX	U2	UMX-VCO