

RoHS Compliant & Pb Free Product

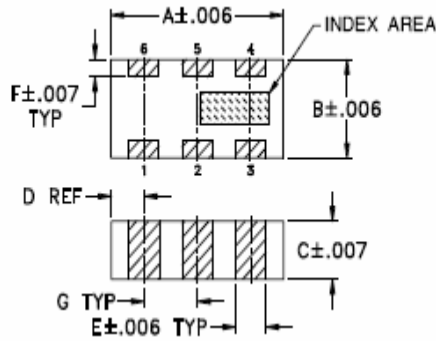
MC1-SC05A

- Category: Splits and Couplers
- Device Packages : FV1206 (Mini-Circuits)
- Cell Size: Single (1x1)
- PCB Material/Layer Details: RO4350/2 layer with thickness 0.020"

Supported Device Package and Its Pin Allocation:

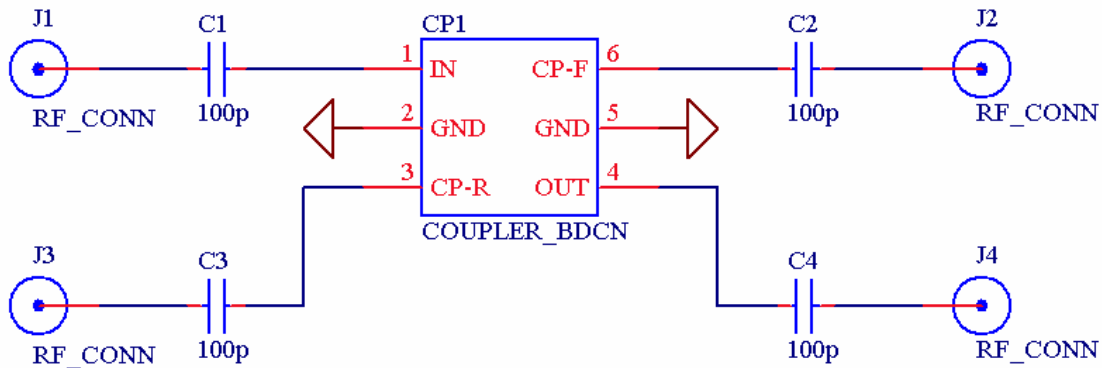


INPUT	1
OUTPUT	4
COUPLED (forward)	6
COUPLED (reverse)	3
GROUND	2,5

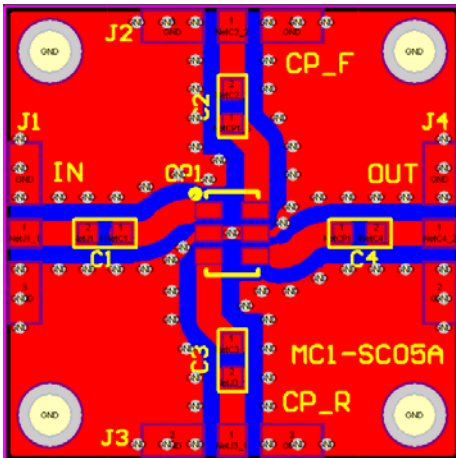


BDCN-7-25
BDCN-10-25
BDCN-15-25
BDCN-17-25

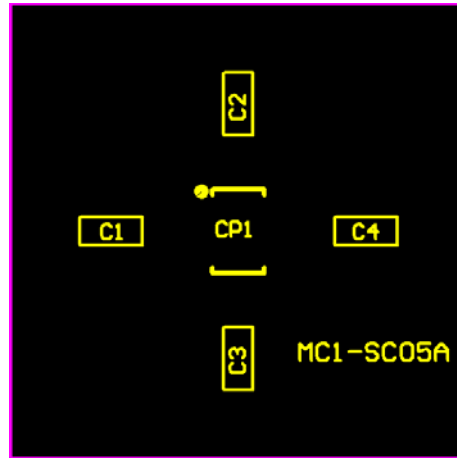
Schematic:



MC1-SC05A PCB Layout:



MC1-SC05A Assembly Drawing:



Minimum supported devices and its vendors:

Mini-circuits
BDCN-7-25
BDCN-10-25
BDCN-15-25
BDCN-17-25

Bill of Material Example:

Used	Part Type	Designator	Footprint
4	100p	C1 C2 C3 C4	0603
1	COUPLER_BDCN	CP1	FV1206-1