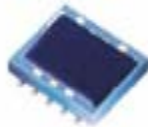


RoHS Compliant & Pb Free Product

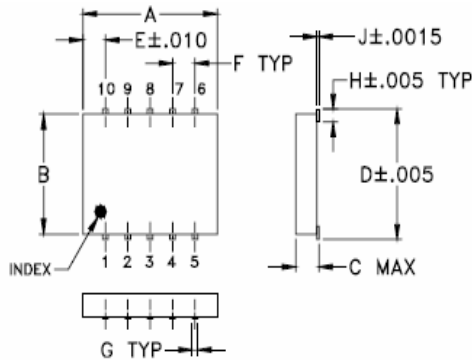
MC1-SC04A

- Category: Splits and Couplers
- Device Packages : DZ944 (Mini-Circuits)
- Cell Size: Single (1x1)
- PCB Material/Layer Details: RO4350/2 layer with thickness 0.020"

Supported Device Package and Its Pin Allocation:

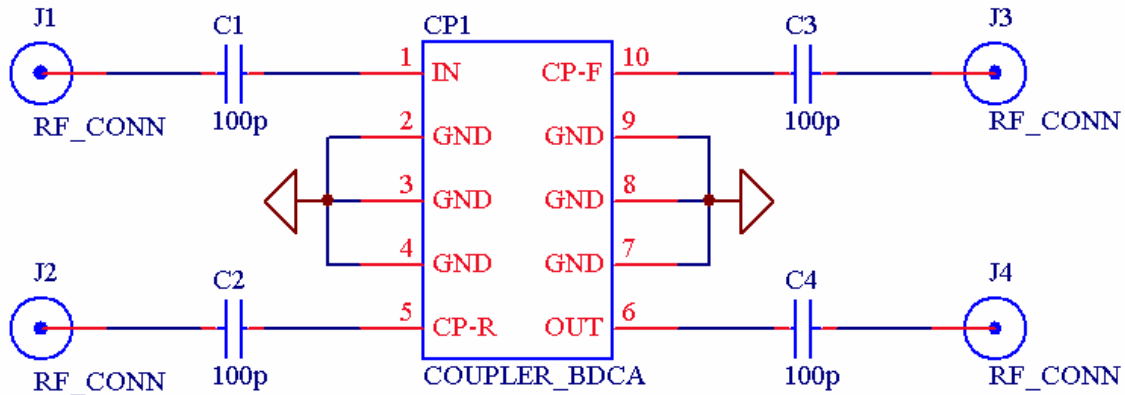


INPUT	1
OUTPUT	6
COUPLED (forward)	10
COUPLED (reverse)	5
GROUND	2,3,4,7,8,9

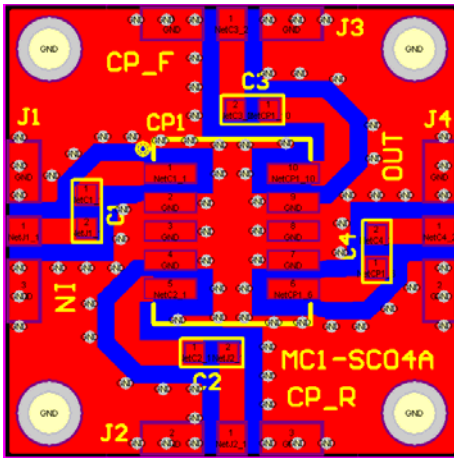


- BDCA1-10-40
- BDCA-6-16
- BDCA-7-25
- BDCA-15-25
- BDCA-16-30
- BDCA1-6-11
- BDCA1-6-22
- BDCA1-7-33

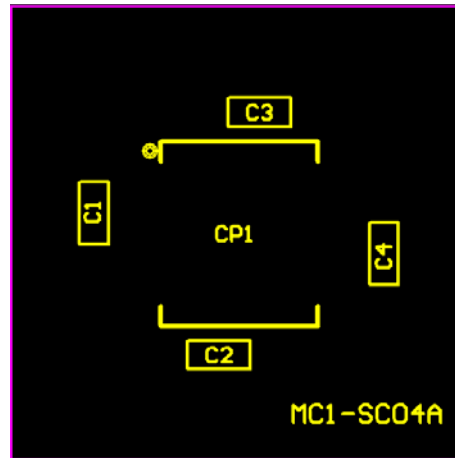
Schematic:



MC1-SC04A PCB Layout:



MC1-SC04A Assembly Drawing:



Minimum supported devices and its vendors:

Mini-circuits
BDCA1-10-40
BDCA-6-16
BDCA-7-25
BDCA-15-25
BDCA-16-30
BDCA1-6-11
BDCA1-6-22
BDCA1-7-33

Bill of Material Example:

Used	Part Type	Designator	Footprint
4	100p	C1 C2 C3 C4	0603
1	COUPLER_BDCA	CP1	DZ944



Split and Coupler PCB Cell
MC1-SC04A