

RoHS Compliant & Pb Free Product

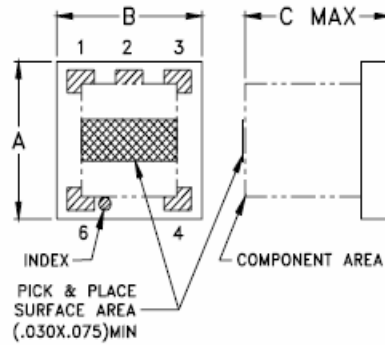
MC1-SC03A

- Category: Splits and Couplers
- Device Packages : AT790-1 (Mini-Circuits)
- Cell Size: Single (1x1)
- PCB Material/Layer Details: RO4350/2 layer with thickness 0.020"

Supported Device Package and Its Pin Allocation:

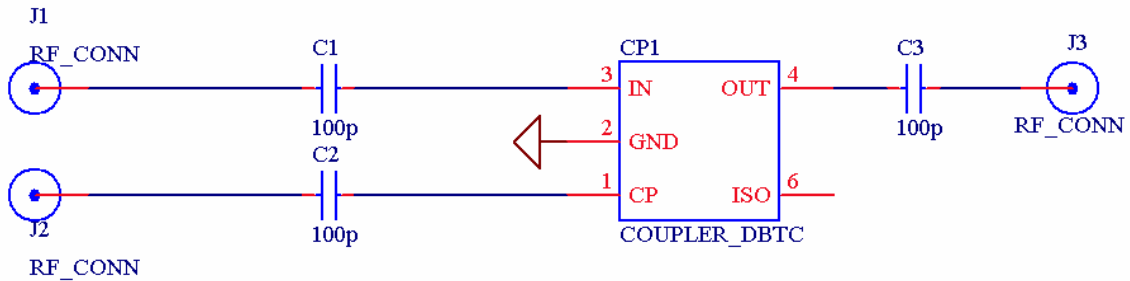


INPUT	3
OUTPUT	4
COUPLED	1
GROUND	2
ISOLATE (DO NOT USE)	6

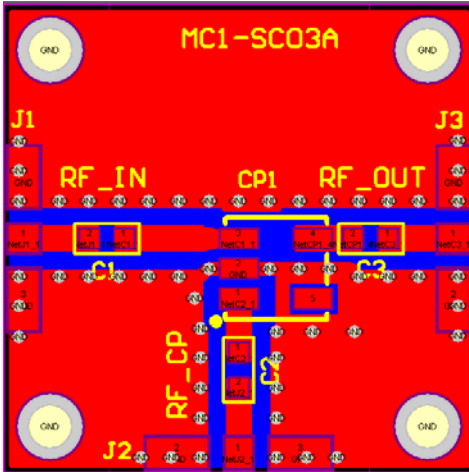


- DBTC-9-4
- DBTC-9-4L
- DBTC-9-4-75
- DBTC-10-4-75
- DBTC-12-4
- DBTC-12-4-75
- DBTC-13-4
- DBTC-13-5-75
- DBTC-16-5-75
- DBTC-17-5
- DBTC-18-4-75
- DBTC-20-4

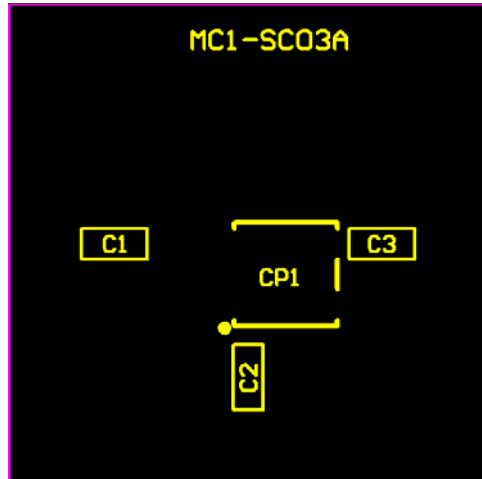
Schematic:



MC1-SC03A PCB Layout:



MC1-SC03A Assembly Drawing:



Minimum supported devices and its vendors:

Mini-circuits
DBTC-9-4
DBTC-9-4L
DBTC-9-4-75
DBTC-12-4
DBTC-12-4-75
DBTC-13-4
DBTC-13-5-75
DBTC-16-5-75
DBTC-17-5
DBTC-18-4-75
DBTC-20-4

Bill of Material Example:

Used	Part Type	Designator	Footprint
3	100p	C1 C2 C3	0603
1	COUPLER_DBTC	CP1	AT790-1



**Split and Coupler PCB Cell
MC1-SC03A**