

RoHS Compliant & Pb Free Product

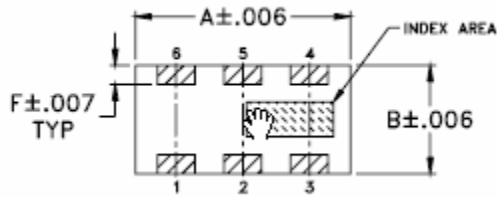
MC1-SC02A

- Category: Splits and Couplers
- Device Packages : FV1206 (Mini-Circuits)
- Cell Size: Single (1x1)
- PCB Material/Layer Details: RO4350/2 layer with thickness 0.020"

Supported Device Package and Its Pin Allocation:

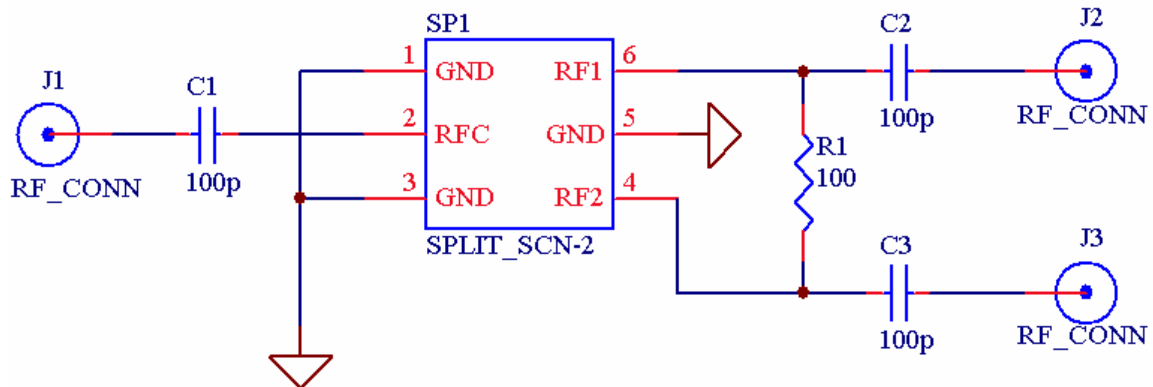


SUM PORT	2
PORT 1	6
PORT 2	4
GROUND	1,3,5
PORT 1-2	resistor external 100 OHMS

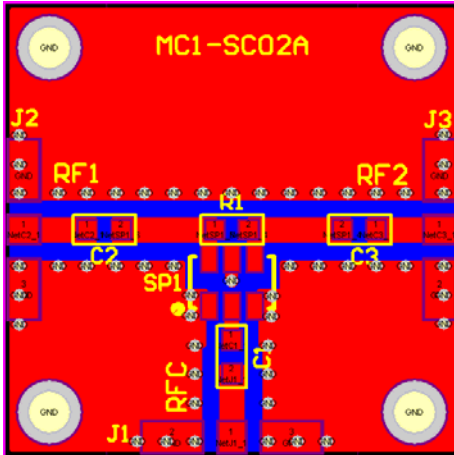


- SCN-2-11
- SCN-2-15
- SCN-2-19
- SCN-2-22
- SCN-2-27
- SCN-2-35
- SCN-2-45
- SCN-2-65

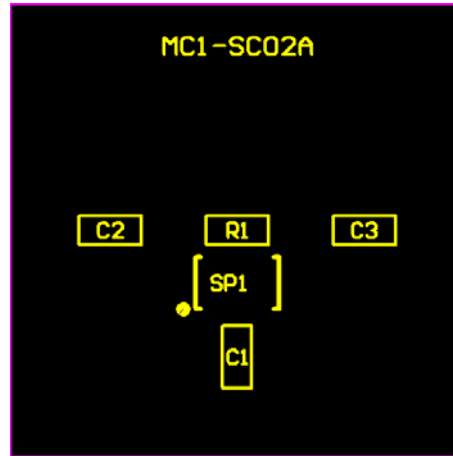
Schematic:



MC1-SC02A PCB Layout:



MC1-SC02A Assembly Drawing:



Minimum supported devices and its vendors:

Mini-circuits
SCN-2-11
SCN-2-15
SCN-2-19
SCN-2-22
SCN-2-27
SCN-2-35
SCN-2-45
SCN-2-65

Bill of Material Example:

Used	Part Type	Designator	Footprint
1	100	R1	0603
3	100p	C1 C2 C3	0603
1	SPLIT_SCN-2	SP1	FV1206-1