

RoHS Compliant & Pb Free Product

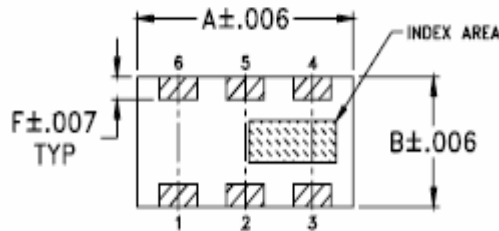
MC1-SC01A

- Category: Splits and Couplers
- Device Packages : FV1206 (Mini-Circuits)
- Cell Size: Single (1x1)
- PCB Material/Layer Details: RO4350/2 layer with thickness 0.020"

Supported Device Package and Its Pin Allocation:

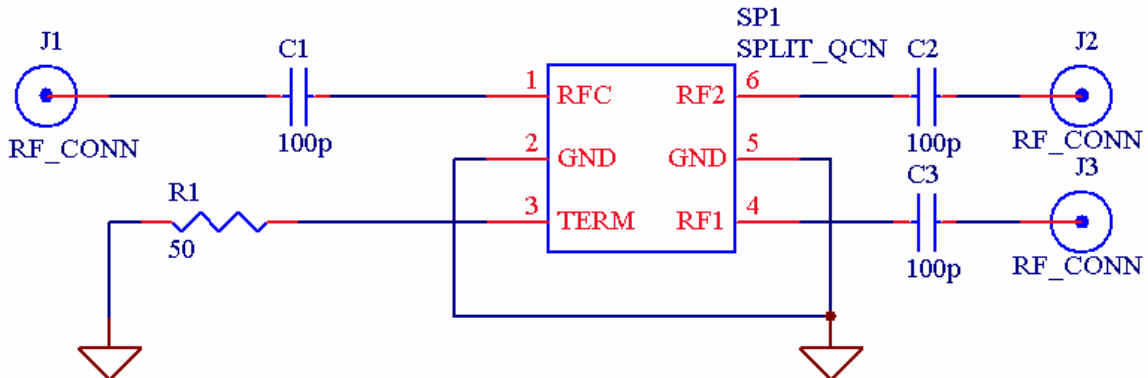


SUM PORT	1
PORT 1 (0°)	4
PORT 2 (+90°)	6
GROUND	2,5
50 OHM TERM EXTERNAL	3

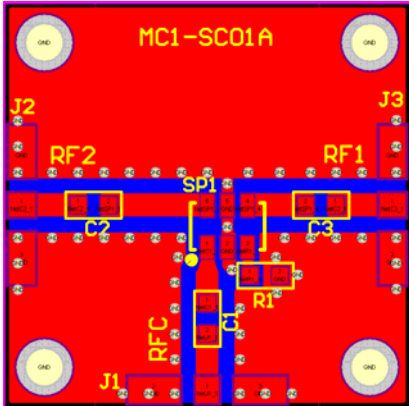


- QCN-5
- QCN-7
- QCN-12
- QCN-12A
- QCN-19
- QCN-25
- QCN-27
- QCN-34

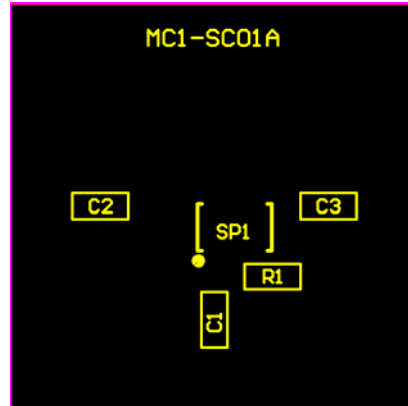
Schematic:



MC1-SC01A PCB Layout:



MC1-SC01A Assembly Drawing:



Minimum supported devices and its vendors:

Mini-circuits
QCN-5
QCN-7
QCN-12
QCN-12A
QCN-19
QCN-25
QCN-27
QCN-34

Bill of Material Example:

Used	Part Type	Designator	Footprint
1	50	R1	0603
3	100p	C1 C2 C3	0603
3	RF_CONN	J1 J2 J3	P2_RF_43