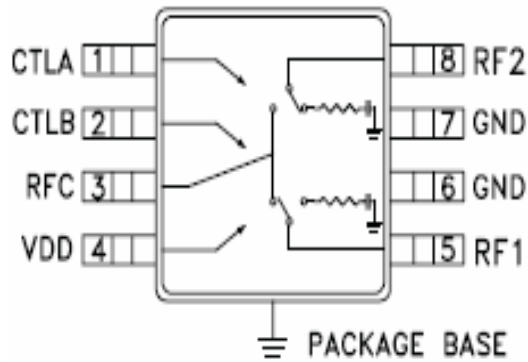


RoHS Compliant & Pb Free Product

MC1-SW03A:

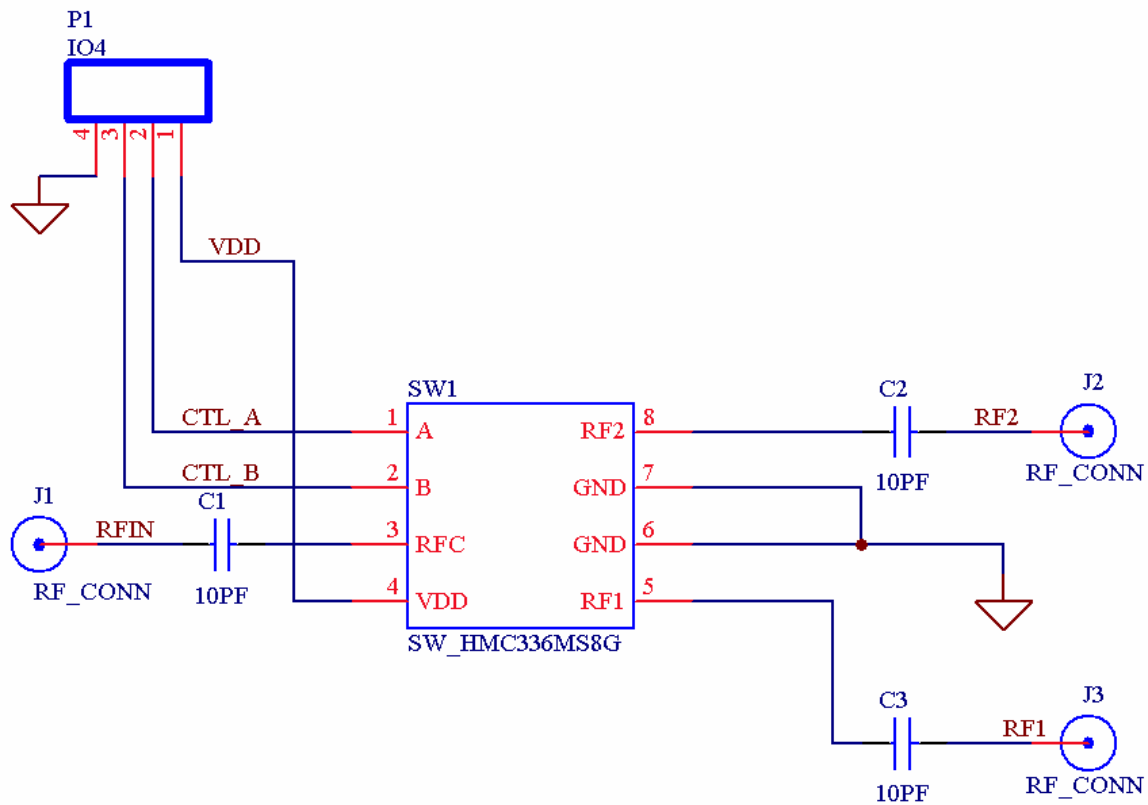
- Category: Switch
- Device Package: MSOP-8G
- Cell Size: Single (1x1)
- PCB Material/Layer Details: RO4350/Single layer with thickness 0.020"

Supported Device Package and Its Pin Allocation:

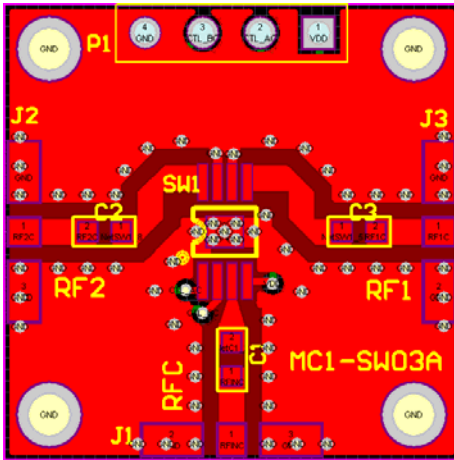


HMC336MS8G
HMC484MS8G

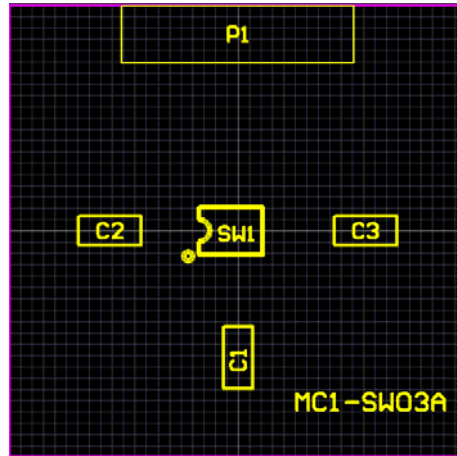
Schematic:



MC1-SW03A PCB Layout:



MC1-SW03A Assembly Drawing:



Minimum supported devices and its vendors:

Hittite
HMC336MS8G
HMC484MS8G

Bill of Material Example:

Used	Part Type	Designator	Footprint
3	10PF	C1 C2 C3	0603
1	IO4	P1	P2_CON4_S
1	SW_HMC336MS8G	SW1	MS8G