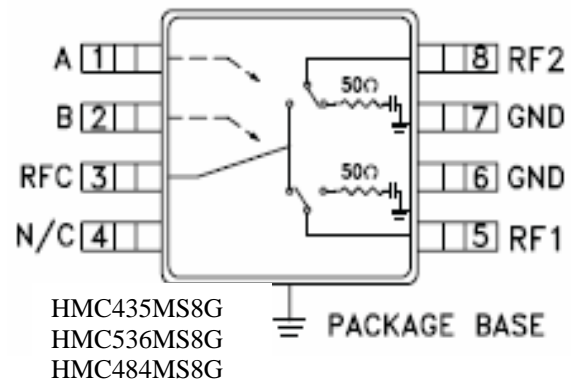
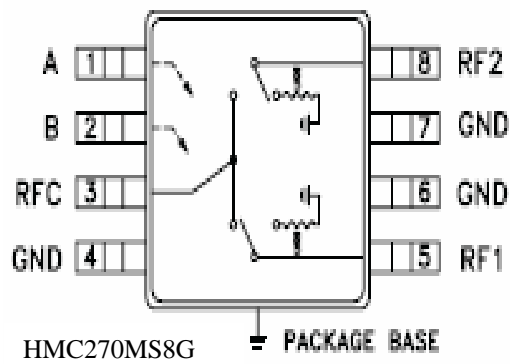


RoHS Compliant & Pb Free Product

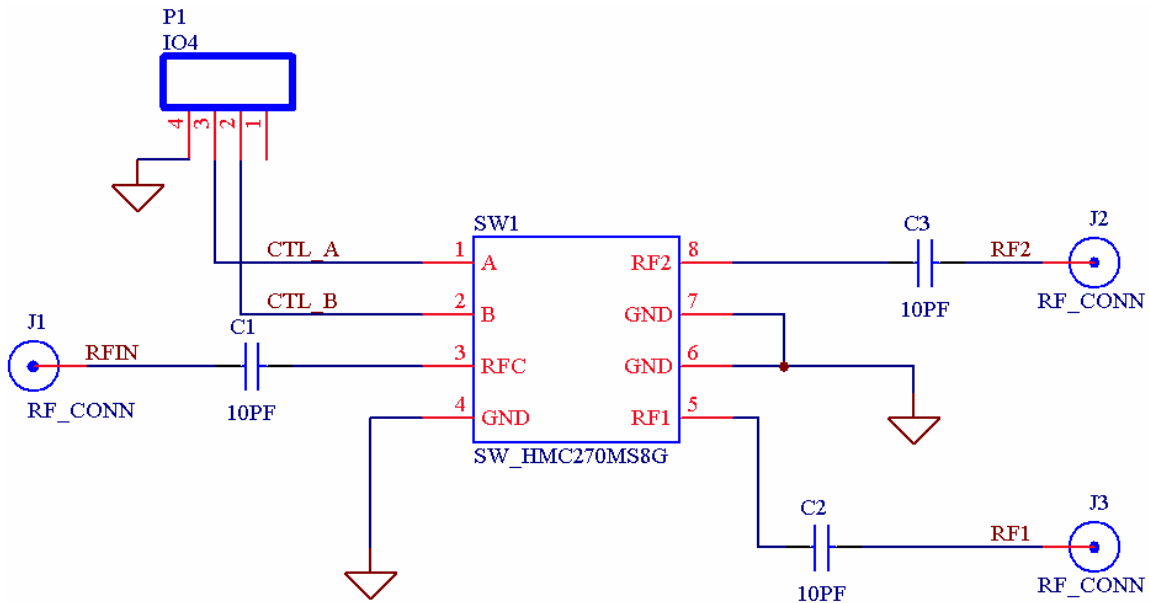
MC1-SW02A:

- Category: Switch
- Device Package: MSOP-8G
- Cell Size: Single (1x1)
- PCB Material/Layer Details: RO4350/Single layer with thickness 0.020"

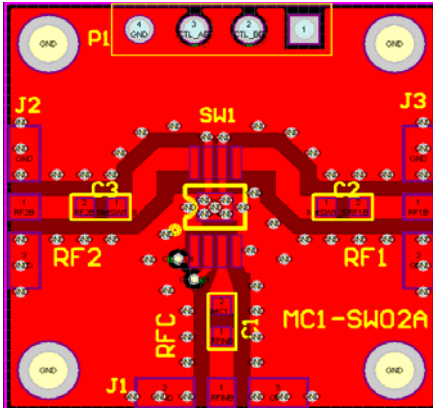
Supported Device Package and Its Pin Allocation:



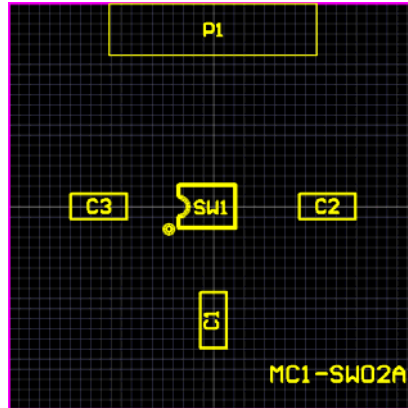
Schematic:



MC1-SW02A PCB Layout:



MC1-SW02A Assembly Drawing:



Minimum supported devices and its vendors:

<p>Hittite</p> <p>HMC270MS8G HMC435MS8G HMC536MS8G HMC284MS8G</p>
--

Bill of Material Example:

Used	Part Type	Designator	Footprint
3	10PF	C1 C2 C3	0603
1	IO4	P1	P2_CON4_S
1	SW_HMC270MS8G	SW1	MS8G