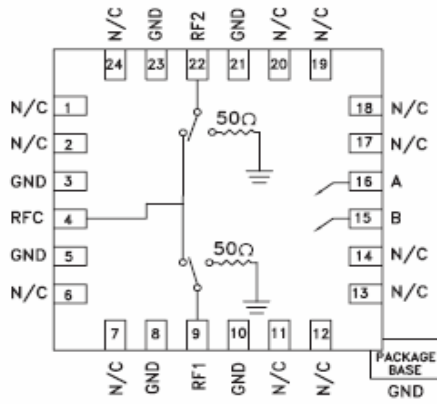


RoHS Compliant & Pb Free Product

MC1-SW01A:

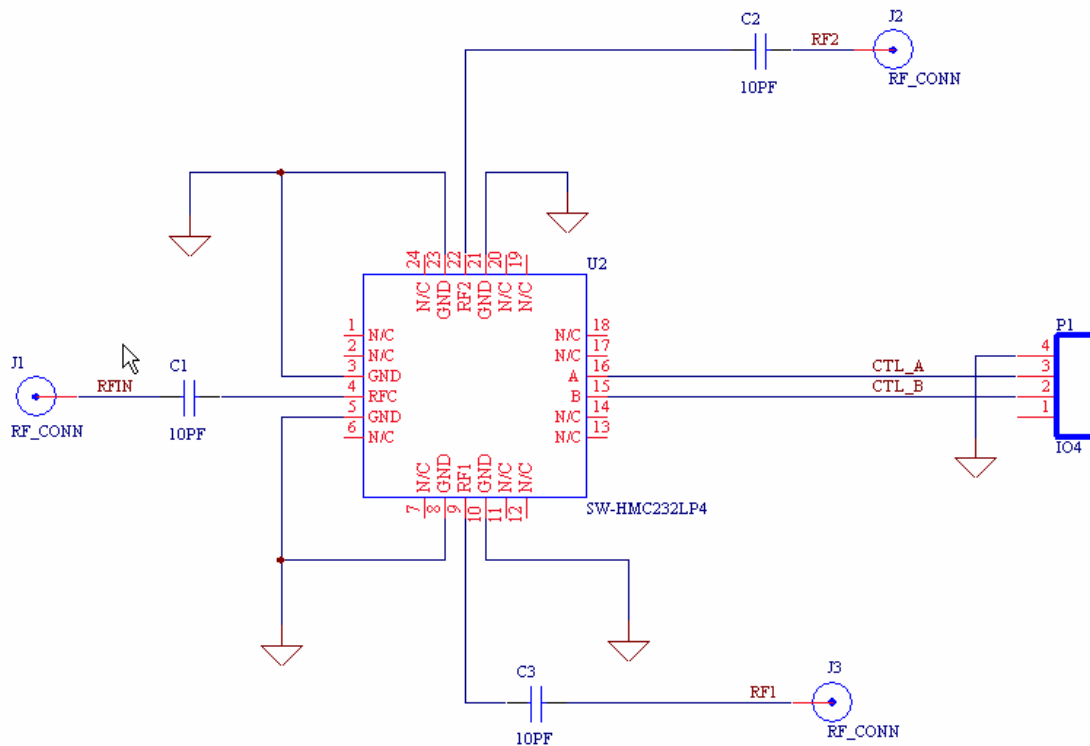
- Category: Switch
- Device Package: LP4
- Cell Size: Single (1x1)
- PCB Material/Layer Details: RO4350/Single layer with thickness 0.020"

Supported Device Package and Its Pin Allocation:

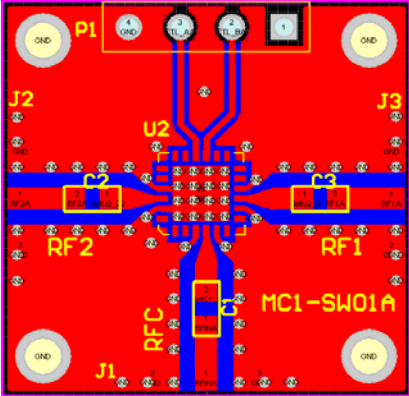


HMC232LP4

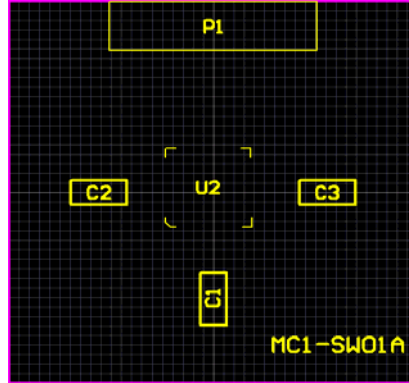
Schematic:



MC1-SW01A PCB Layout:



MC1-SW01A Assembly Drawing:



Minimum supported devices and its vendors:

Hittite: HMC232LP4

Bill of Material Example:

Used	Part Type	Designator	Footprint
3	10PF	C1 C2 C3	0603
1	IO4	P1	P2_CON4_S
1	SW-HMC232LP4	U2	LP4