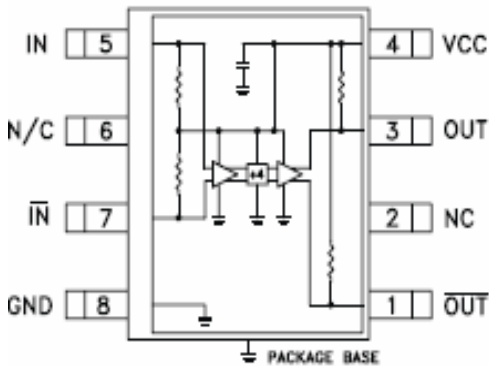


RoHS Compliant & Pb Free Product

MC1-PR03A

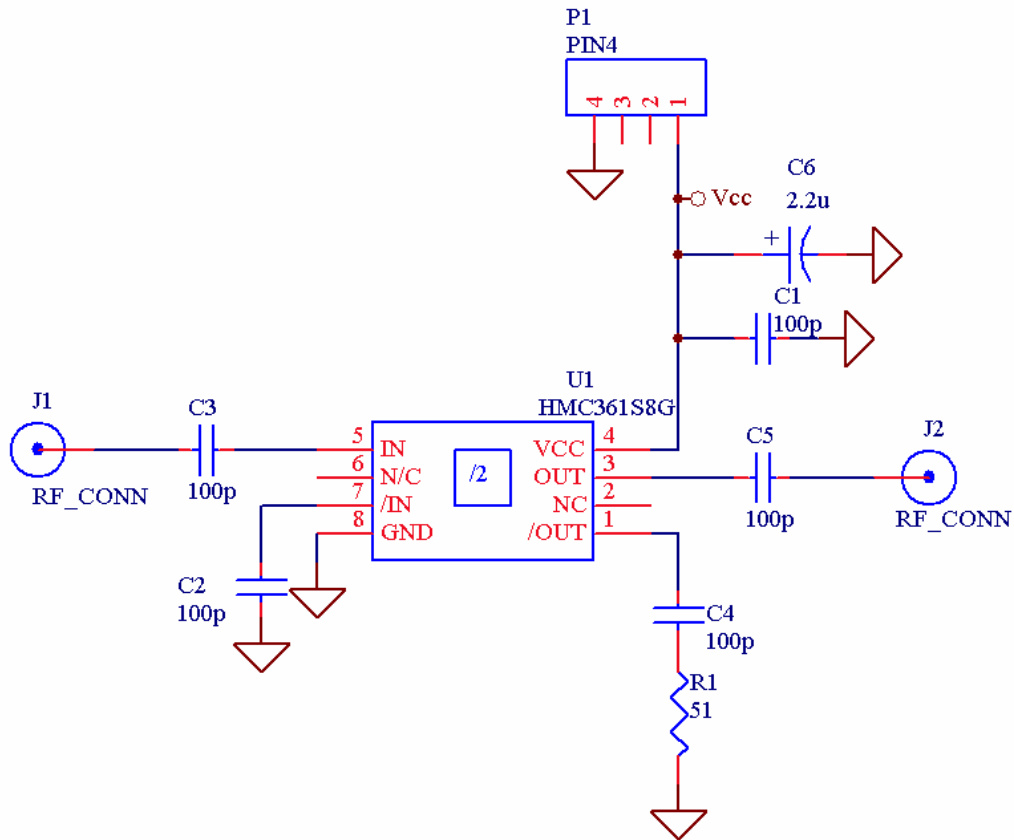
- Category: Prescaler
- Device Package: SOIC-8G
- Cell Size: Single (1x1)
- PCB Material/Layer Details: RO4350/Single layer with thickness 0.020"

Supported Device Package and Its Pin Allocation:

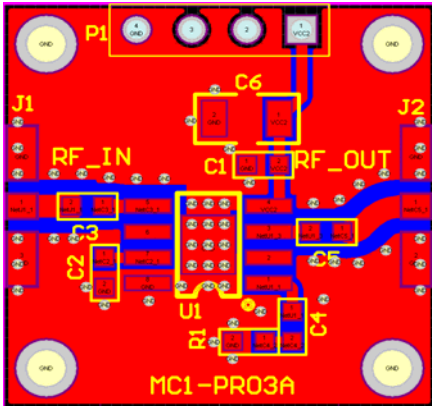


- HMC361S8G
- HMC362S8G
- HMC364S8G
- HMC365S8G

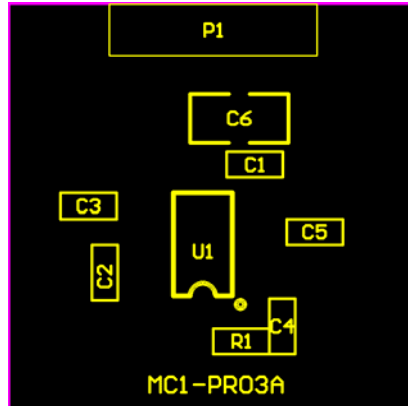
Schematic:



MC1-PR03A PCB Layout:



MC1-PR03A Assembly Drawing:



Minimum supported devices and its vendors:

<p>Hitite</p> <p>HMC361S8G HMC362S8G HMC364S8G HMC365S8G</p>
--

Bill of Material Example:

Used	Part Type	Designator	Footprint
1	2.2u	C6	1206
1	51	R1	0603
5	100p	C1 C2 C3 C4 C5	0603
1	HMC361S8G	U1	SOIC-8G
1	PIN4	P1	P2_CON4_S