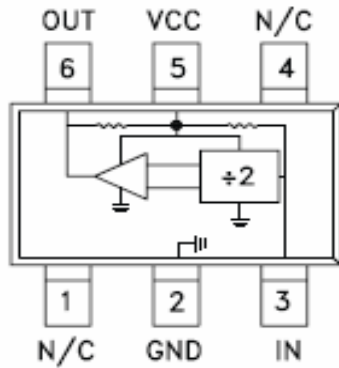


RoHS Compliant & Pb Free Product

MC1-PR05A

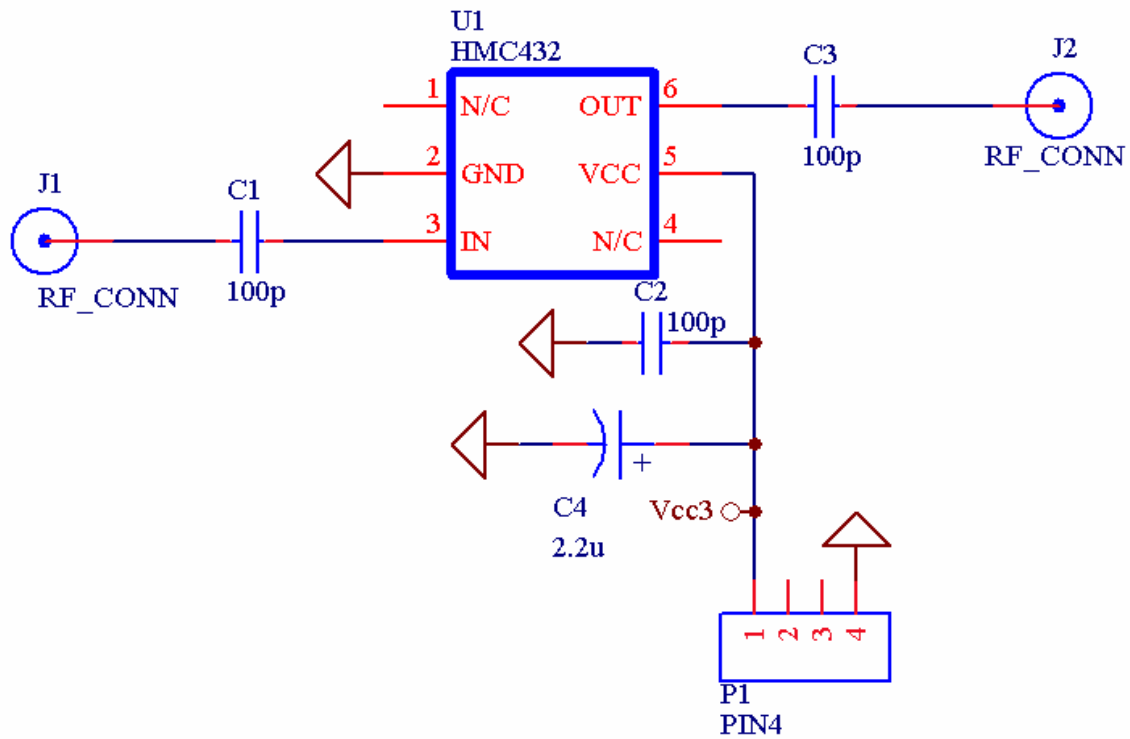
- Category: Prescaler
- Device Package: SOT-26
- Cell Size: Single (1x1)
- PCB Material/Layer Details: RO4350/Single layer with thickness 0.020"

Supported Device Package and Its Pin Allocation:

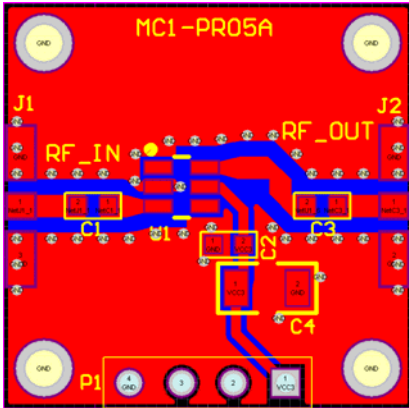


HMC432
HMC433
HMC434

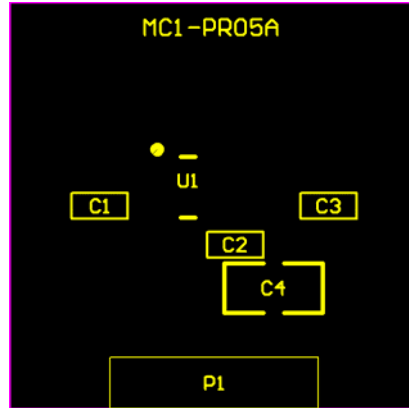
Schematic:



MC1-PR05A PCB Layout:



MC1-PR05A Assembly Drawing:



Minimum supported devices and its vendors:

Hittite
HMC432
HMC433
HMC434

Bill of Material Example:

Used	Part Type	Designator	Footprint
1	2.2u	C4	1206
3	100p	C1 C2 C3	0603
1	HMC432	U1	SOT-26
1	PIN4	P1	P2_CON4_S