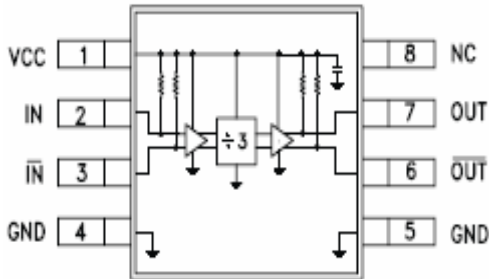


RoHS Compliant & Pb Free Product

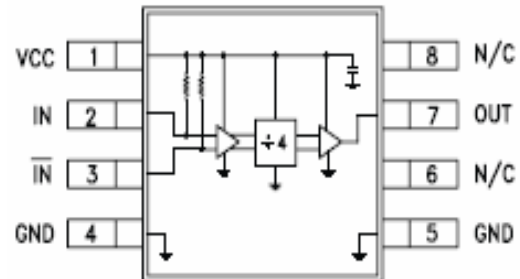
MC1-PR04A

- Category: Prescaler
- Device Package: MSOP-8
- Cell Size: Single (1x1)
- PCB Material/Layer Details: RO4350/Single layer with thickness 0.020"

Supported Device Package and Its Pin Allocation:

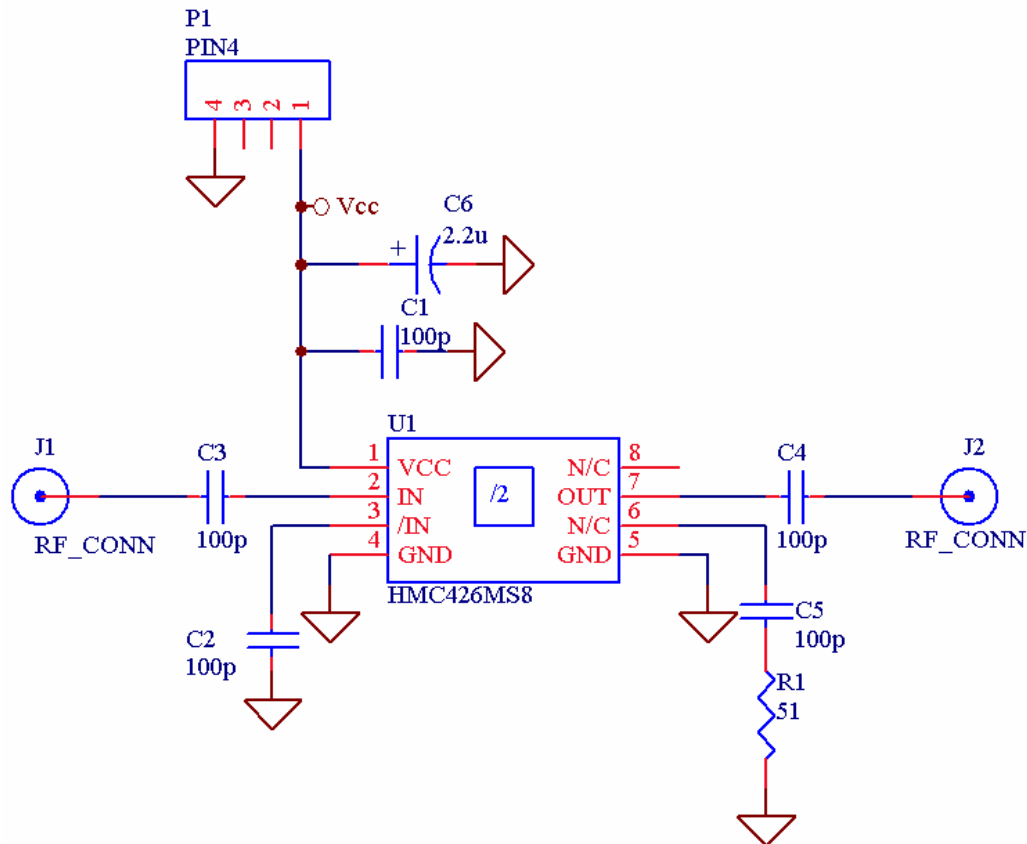


HMC437MS8G

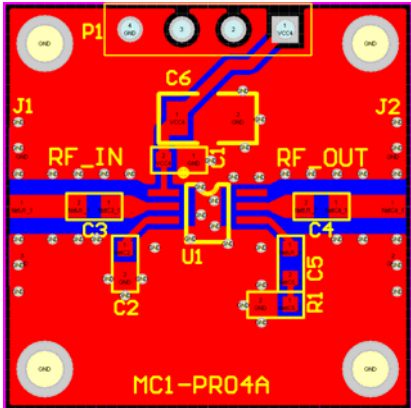


HMC426MS8

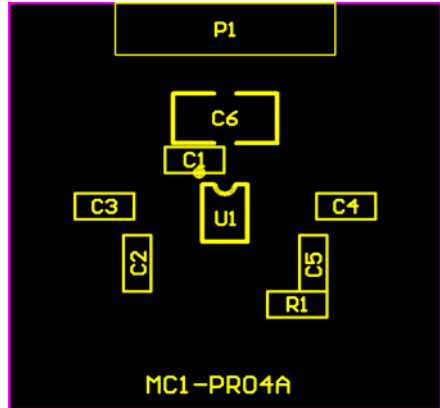
Schematic:



MC1-PR04A PCB Layout:



MC1-PR04A Assembly Drawing:



Minimum supported devices and its vendors:

Hittite
HMC437MS8G
HMC426MS8

Bill of Material Example:

Used	Part Type	Designator	Footprint
1	2.2u	C6	1206
1	51	R1	0603
5	100p	C1 C2 C3 C4 C5	0603
1	HMC426MS8	U1	MS-8
1	PIN4	P1	P2_CON4_S