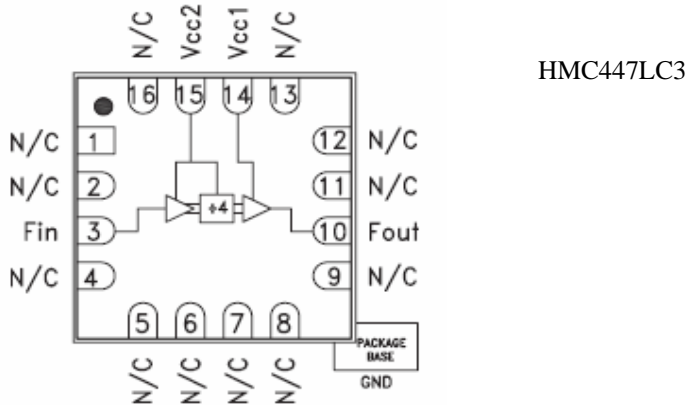


**RoHS Compliant & Pb Free Product**

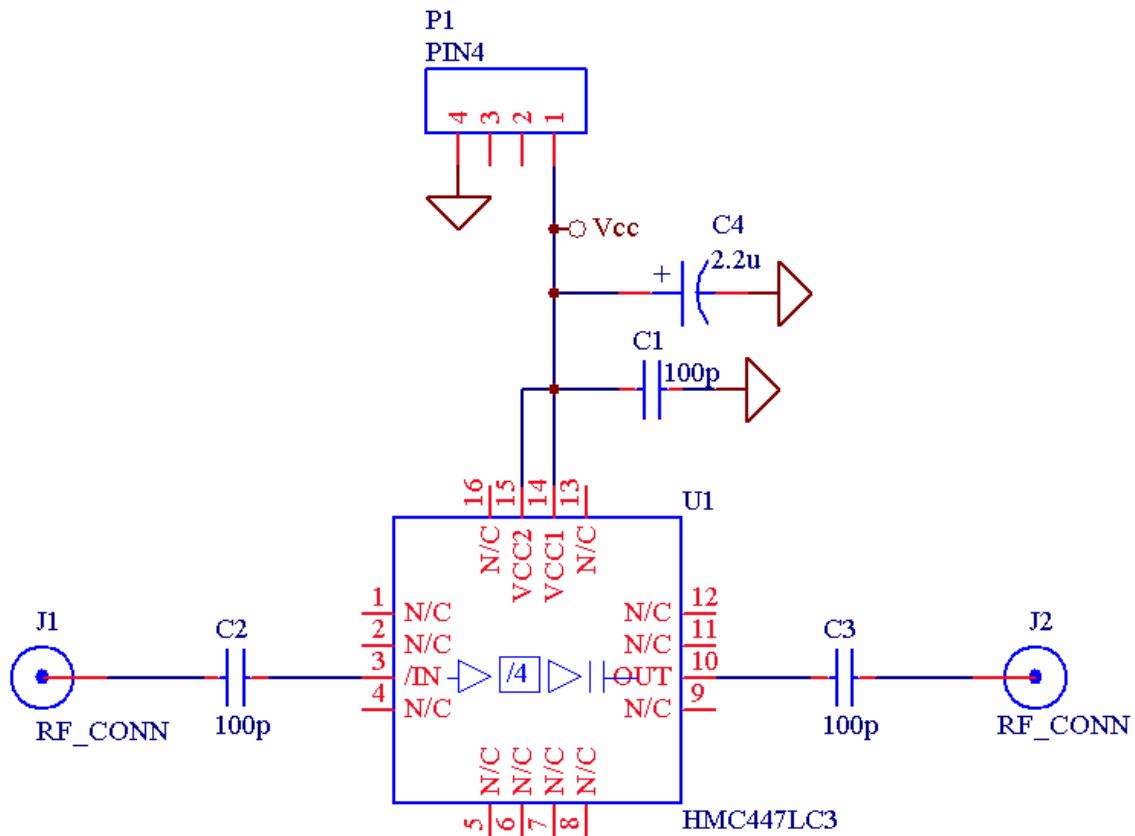
**MC1-PR02A**

- Category: Prescaler
- Device Package: 3x3mm<sup>2</sup>
- Cell Size: Single (1x1)
- PCB Material/Layer Details: RO4350/Single layer with thickness 0.020"

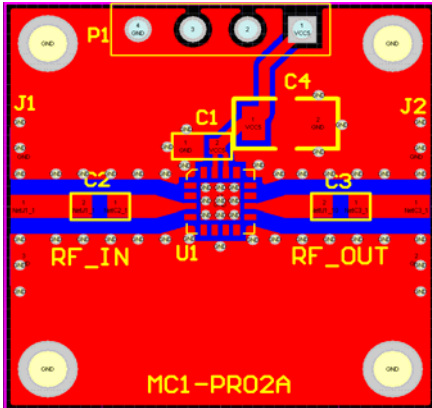
**Supported Device Package and Its Pin Allocation:**



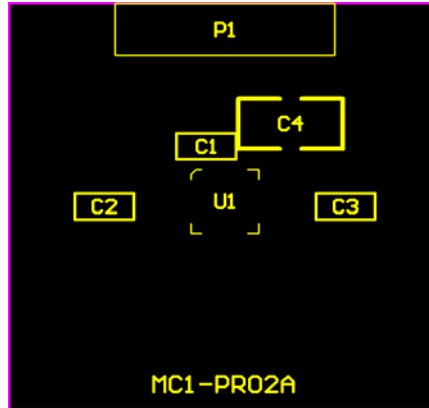
**Schematic:**



MC1-PR02A PCB Layout:



MC1-PR02A Assembly Drawing:



Minimum supported devices and its vendors:

Hittite
HMC447LC3

Bill of Material Example:

Used	Part Type	Designator	Footprint
1	2.2u	C4	1206
3	100p	C1 C2 C3	0603
1	HMC447LC3	U1	LP3
1	PIN4	P1	P2_CON4_S