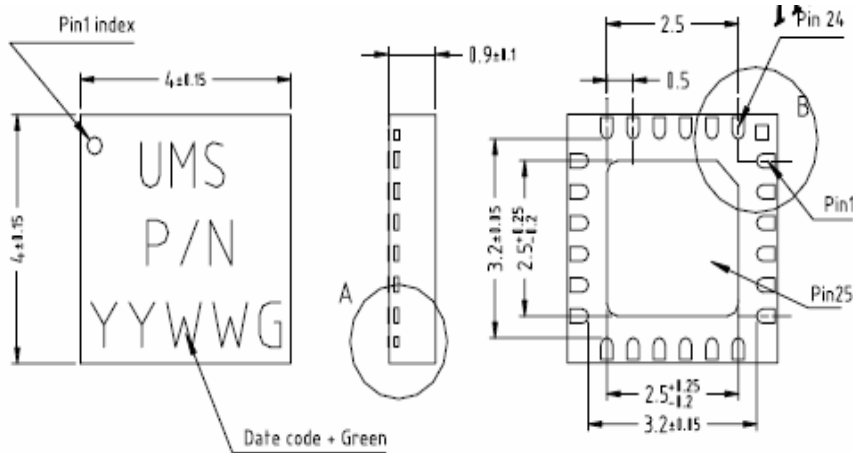


RoHS Compliant & Pb Free Product

MC1-MU12A:

- Category: Multiplier
- Device Package: QFN4x4mm²-24
- Cell Size: Single (1x1)
- PCB Material/Layer Details: RO4350/Single layer with thickness 0.020"

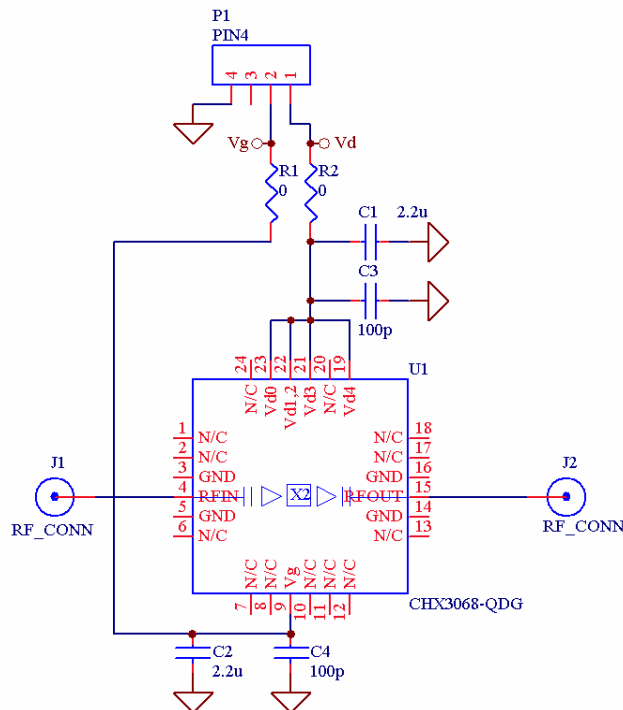
Supported Device Package and Its Pin Allocation:



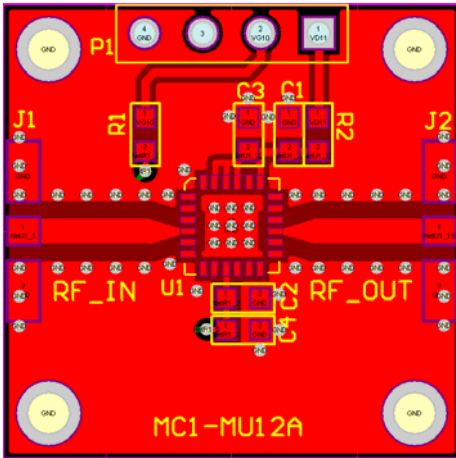
1- NC	9- NC	17- NC
2- NC	10- Vg	18- NC
3- GND	11- NC	19- Vd4
4- RF in	12- NC	20- NC
5- GND	13- NC	21- Vd3
6- NC	14- GND	22- Vd1,2
7- NC	15- RF out	23- Vd0
8- NC	16- GND	24- NC

CHX3068-QDG

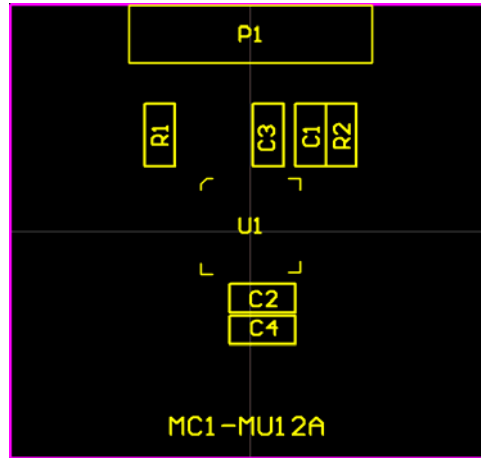
Schematic:



MC1-MU12A PCB Layout:



MC1-MU12A Assembly Drawing:



Minimum supported devices and its vendors:

UMS
CHX3068-QDG

Bill of Material Example:

Used	Part Type	Designator	Footprint
2	0	R1 R2	0603
2	2.2u	C1 C2	0603
2	100p	C3 C4	0603
1	CHX3068-QDG	U1	QFN4X4-24
1	PIN4	P1	P2_CON4_S