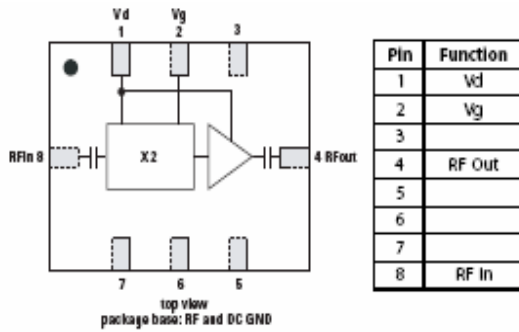


RoHS Compliant & Pb Free Product

MC1-MU08A:

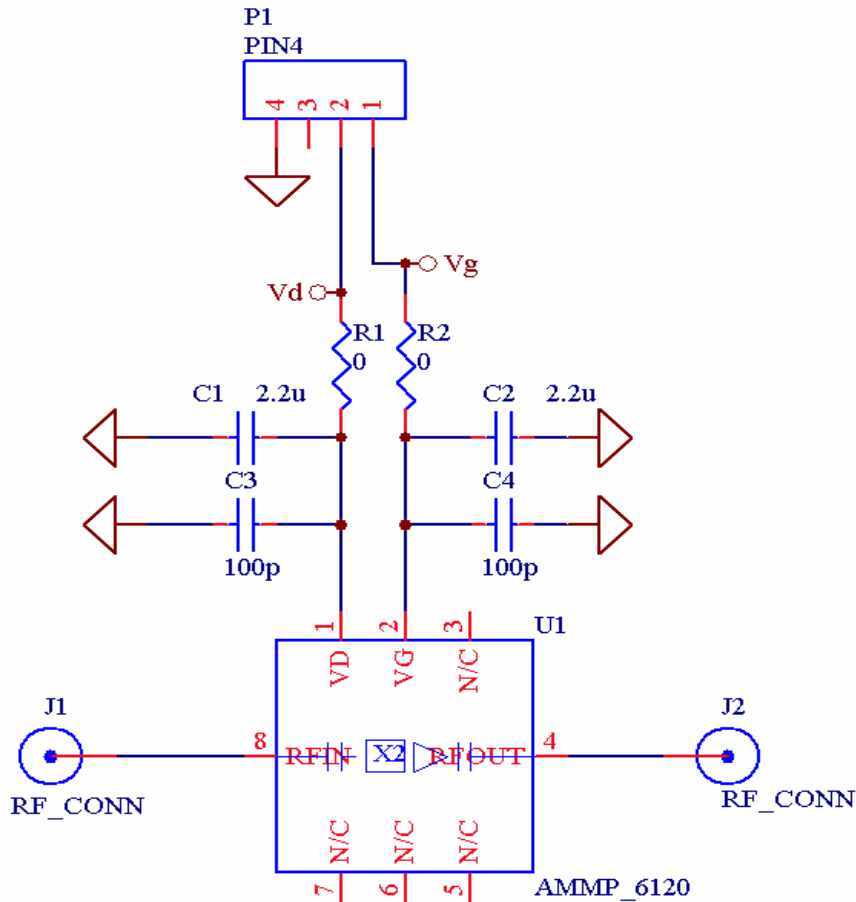
- Category: Multiplier
- Device Package: 5x5mm²
- Cell Size: Single (1x1)
- PCB Material/Layer Details: RO4350/Single layer with thickness 0.020"

Supported Device Package and Its Pin Allocation:

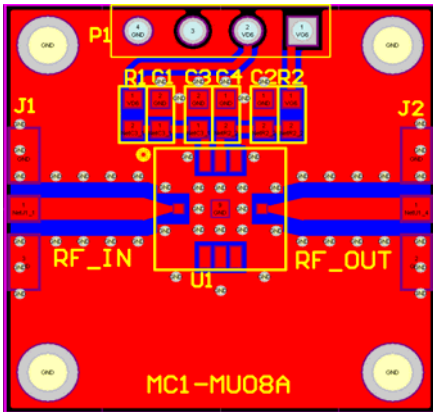


AMMP-6120

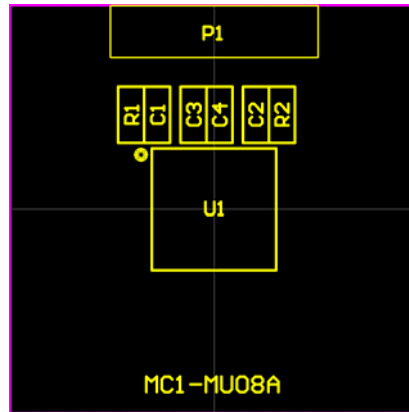
Schematic:



MC1-MU08A PCB Layout:



MC1-MU08A Assembly Drawing:



Minimum supported devices and its vendors:

Avago Tech
AMMP_6120

Bill of Material Example:

Used	Part Type	Designator	Footprint
2	0	R1 R2	0603
2	2.2u	C1 C2	0603
2	100p	C3 C4	0603
1	AMMP_6120	U1	AMMP-6120
1	PIN4	P1	P2_CON4_S