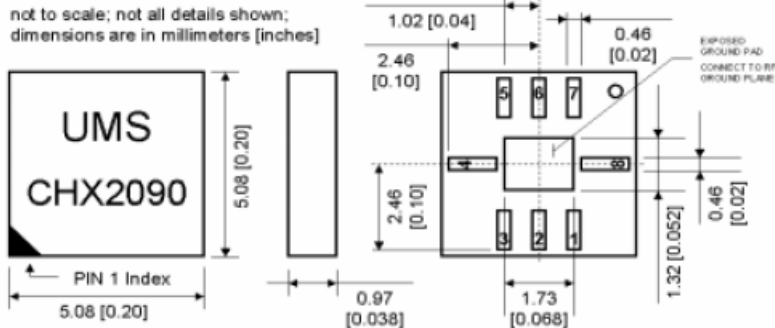


RoHS Compliant & Pb Free Product

MC1-MU11A:

- Category: Multiplier
- Device Package: 5x5mm²
- Cell Size: Single (1x1)
- PCB Material/Layer Details: RO4350/Single layer with thickness 0.020"

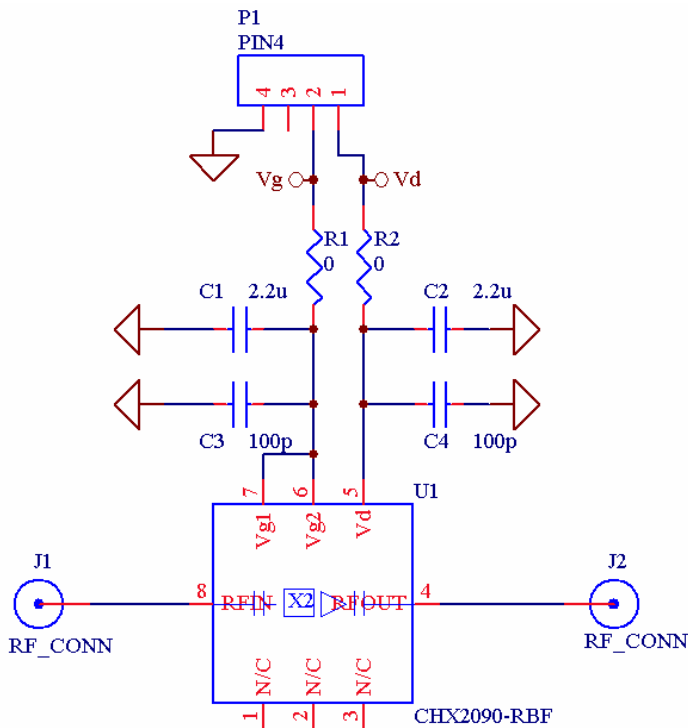
Supported Device Package and Its Pin Allocation:



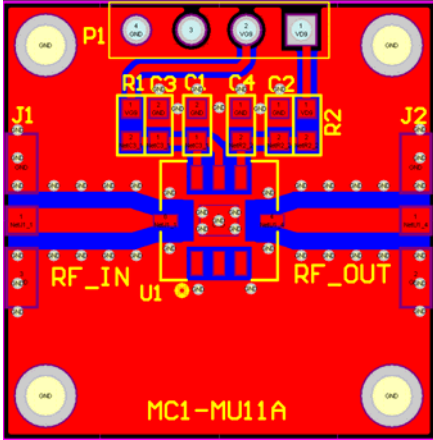
PIN	Function	PIN	Function
1	NC	5	Vd
2	NC	6	Vg2
3	NC	7	Vg1
4	RF out	8	RF in

CHX2090-RBF

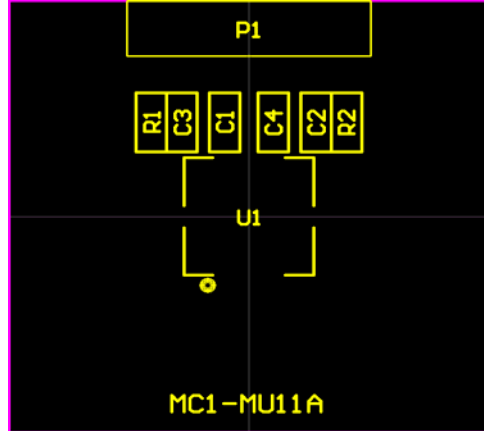
Schematic:



MC1-MU11A PCB Layout:



MC1-MU11A Assembly Drawing:



Minimum supported devices and its vendors:

UMS
CHX2090-RBF

Bill of Material Example:

Used	Part Type	Designator	Footprint
2	0	R1 R2	0603
2	2.2u	C1 C2	0603
2	100p	C3 C4	0603
1	CHX2090-RBF	U1	CHX2090-RBF
1	PIN4	P1	P2_CON4_S