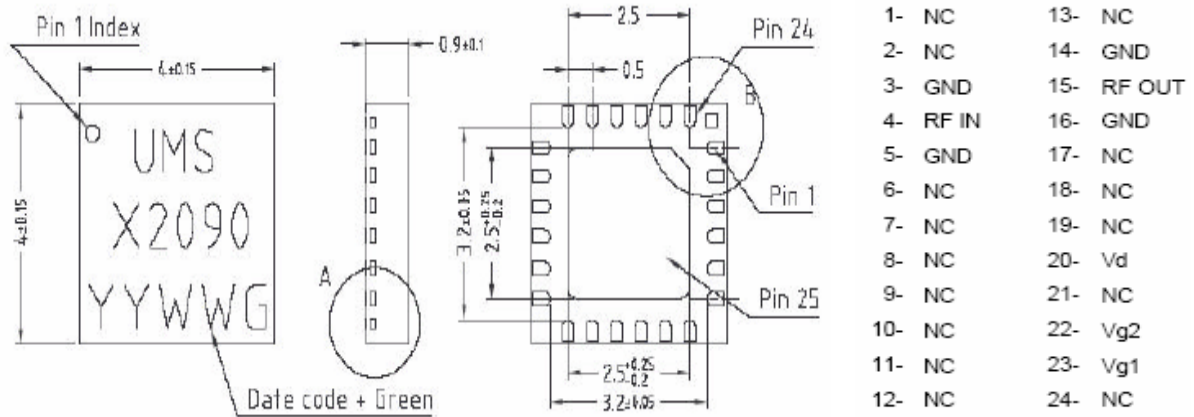


**RoHS Compliant & Pb Free Product**

**MC1-MU10A:**

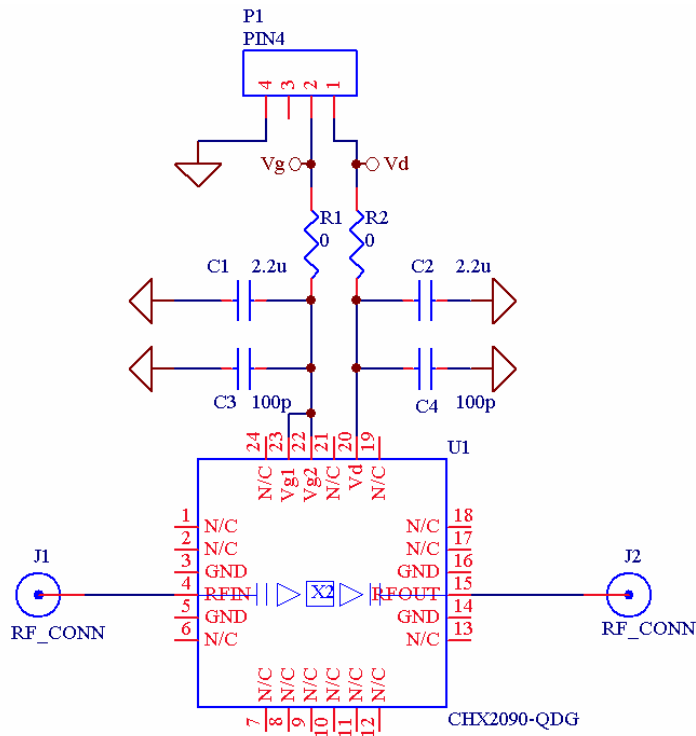
- Category: Multiplier
- Device Package: QFN4x4mm<sup>2</sup> -24
- Cell Size: Single (1x1)
- PCB Material/Layer Details: RO4350/Single layer with thickness 0.020"

**Supported Device Package and Its Pin Allocation:**

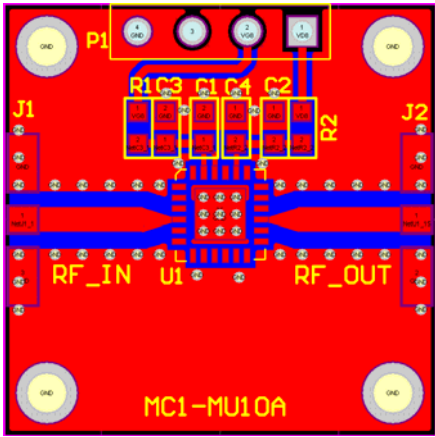


CHX2090-QDG

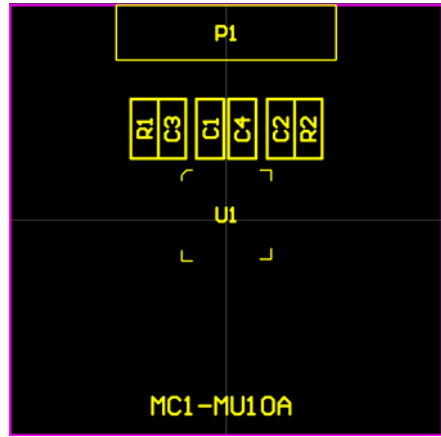
**Schematic:**



**MC1-MU10A PCB Layout:**



**MC1-MU10A Assembly Drawing:**



**Minimum supported devices and its vendors:**

UMS
CHX2090-QDG

**Bill of Material Example:**

Used	Part Type	Designator	Footprint
2	0	R1 R2	0603
2	2.2u	C1 C2	0603
2	100p	C3 C4	0603
1	CHX2090-QDG	U1	QFN4X4-24
1	PIN4	P1	P2_CON4_S