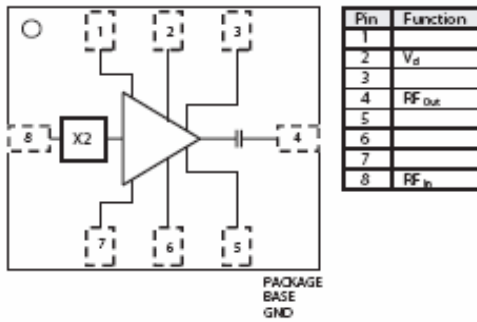


RoHS Compliant & Pb Free Product

MC1-MU09A:

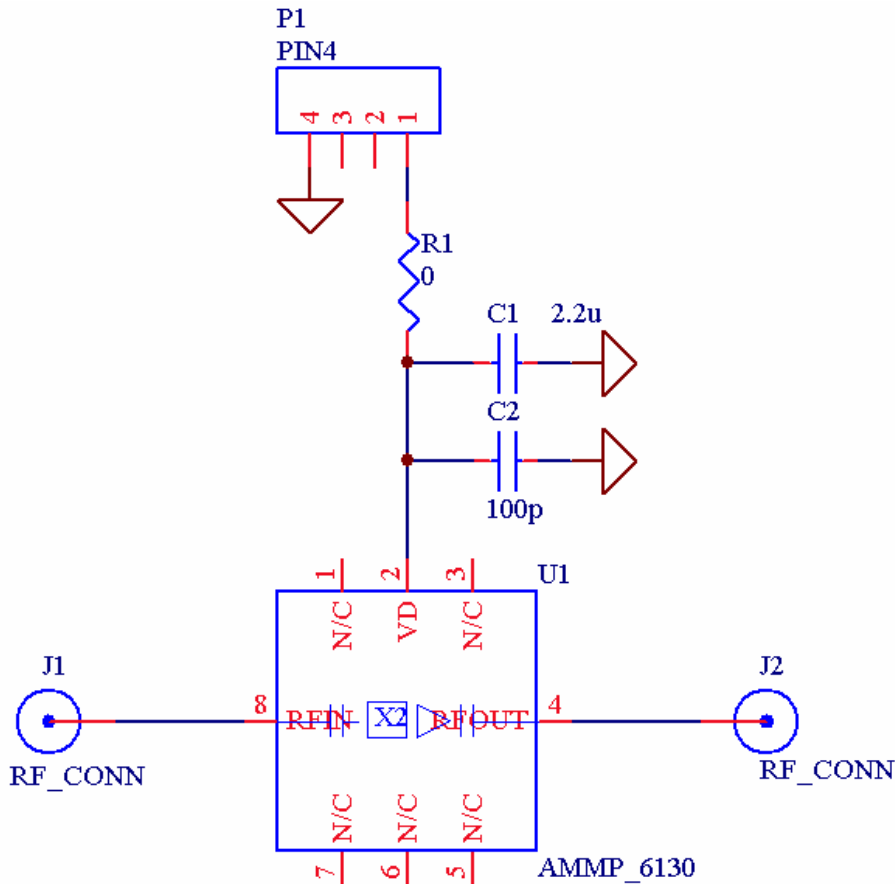
- Category: Multiplier
- Device Package: 5x5mm²
- Cell Size: Single (1x1)
- PCB Material/Layer Details: RO4350/Single layer with thickness 0.020"

Supported Device Package and Its Pin Allocation:

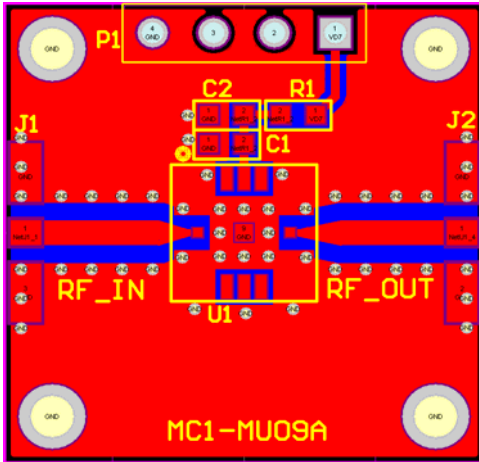


AMMP-6130

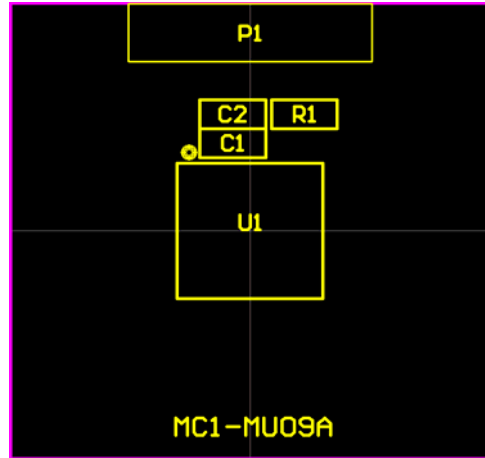
Schematic:



MC1-MU09A PCB Layout:



MC1-MU09A Assembly Drawing:



Minimum supported devices and its vendors:

Avago Tech
AMMP_6130

Bill of Material Example:

Used	Part	Type	Designator	Footprint
1	0		R1	0603
1	2.2u		C1	0603
1	100p		C2	0603
1	AMMP_6130		U1	AMMP-6120
1	PIN4		P1	P2_CON4_S