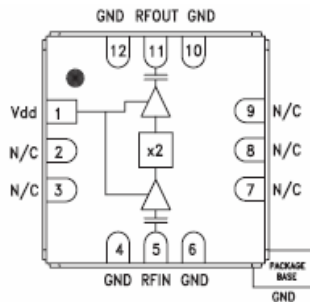


RoHS Compliant & Pb Free Product

MC1-MU06A:

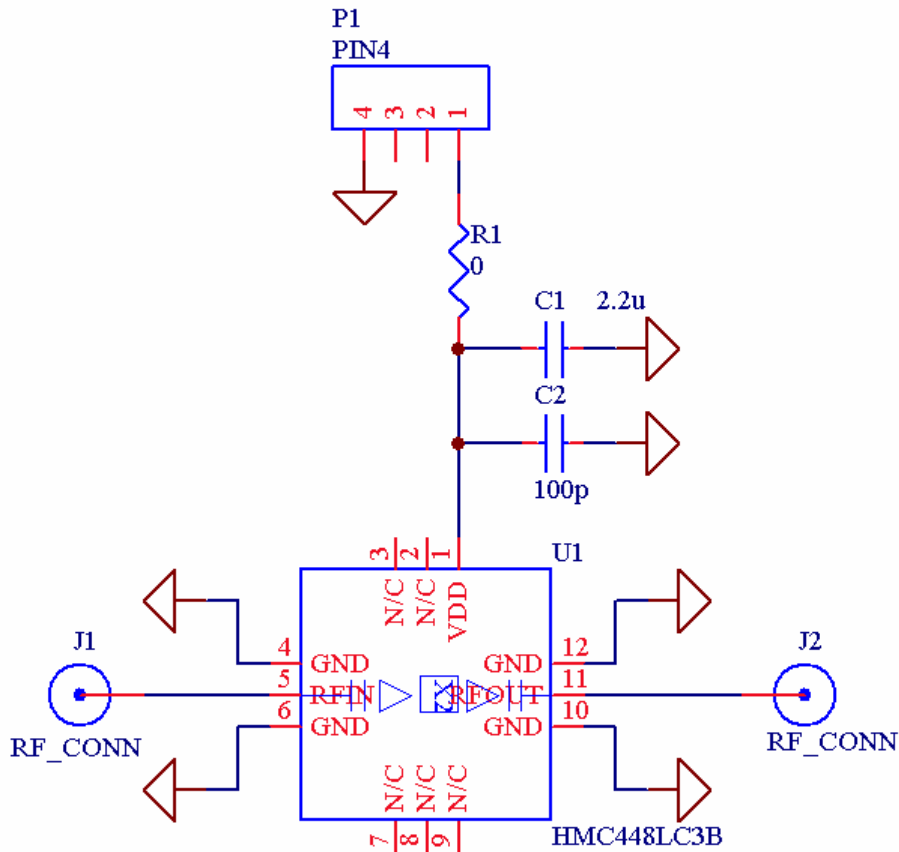
- Category: Multiplier
- Device Package: LC3B
- Cell Size: Single (1x1)
- PCB Material/Layer Details: RO4350/Single layer with thickness 0.020"

Supported Device Package and Its Pin Allocation:

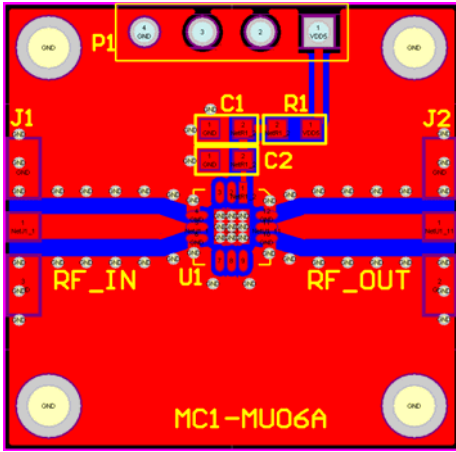


HMC448LC3B
HMC449LC3B

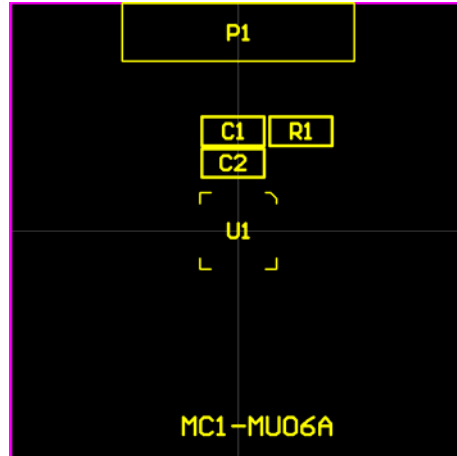
Schematic:



MC1-MU06A PCB Layout:



MC1-MU06A Assembly Drawing:



Minimum supported devices and its vendors:

Hittite
HMC448LC3B
HMC449LC3B

Bill of Material Example:

Used	Part Type	Designator	Footprint
1	0	R1	0603
1	2.2u	C1	0603
1	100p	C2	0603
1	HMC448LC3B	U1	LC3B
1	PIN4	P1	P2_CON4_S